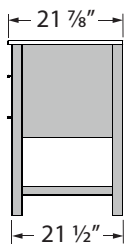
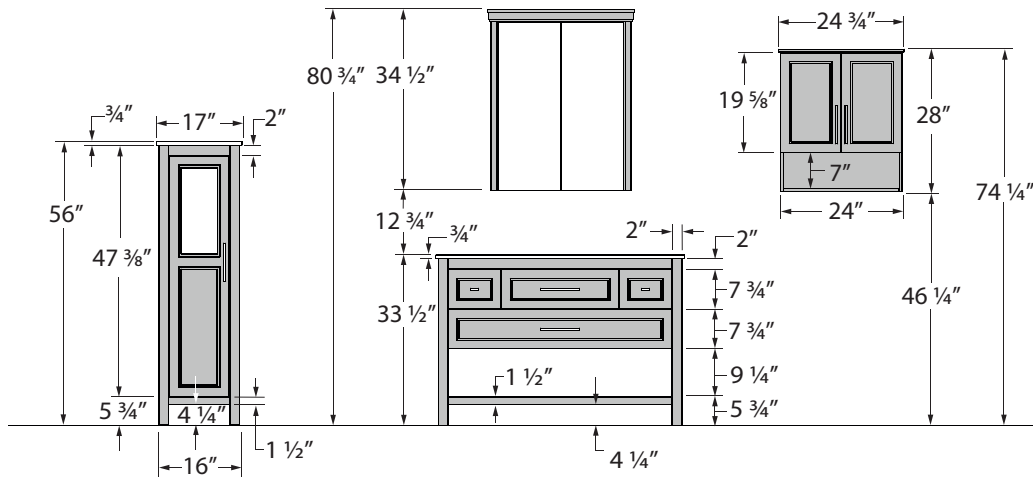
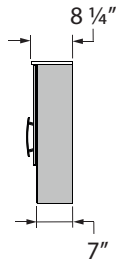


CONSOLE - RENDEZ-VOUS | SELECTION

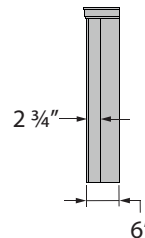
DIMENSIONS



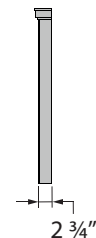
Sink base



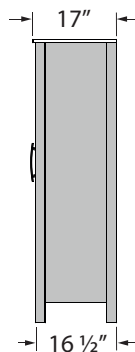
Auxiliary medicine cabinet



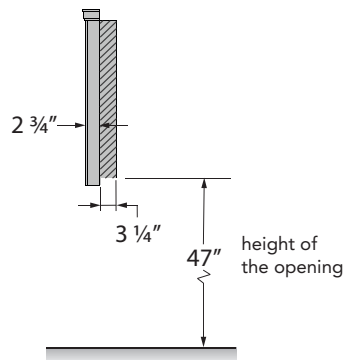
Wall-mounted medicine cabinet



Mirror



Linen cabinet



Recessed medicine cabinet

RECESSED MEDICINE CABINET WALL OPENING

Total W	Wall opening	
	W	H
18"	15 3/4"	32"
21"	18 3/4"	32"
24"	21 3/4"	32"
27"	24 3/4"	32"
30"	27 3/4"	32"
33"	30 3/4"	32"
36"	33 3/4"	32"
39"	36 3/4"	32"
42"	39 3/4"	32"
45"	42 3/4"	32"
48"	45 3/4"	32"