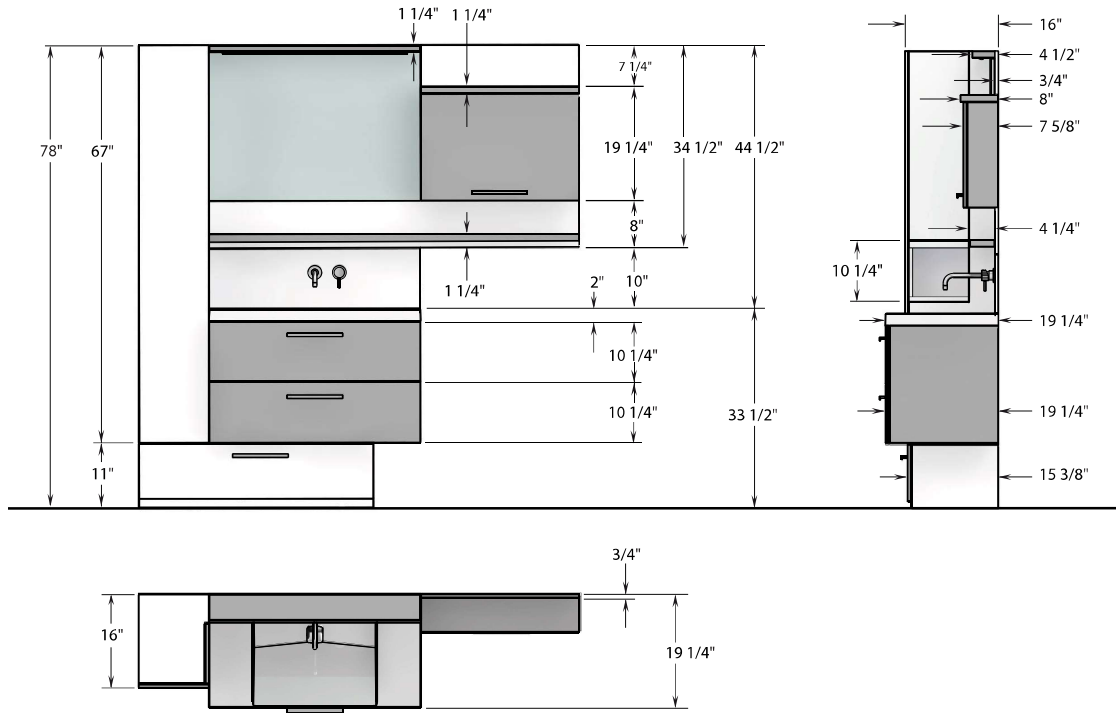


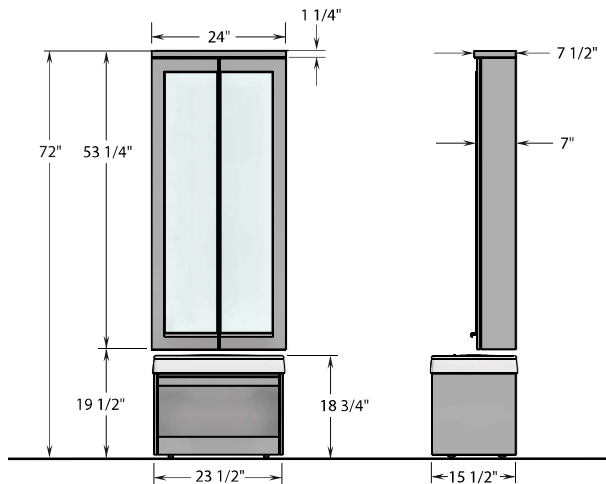
DUO | SELECTION

DIMENSIONS, ELECTRICAL AND PLUMBING

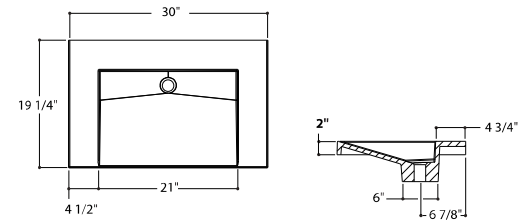
LAYOUT WITH LINEN-MEDICINE CABINET, TOE-KICK DRAWER AND EXTENDED MEDICINE CABINET



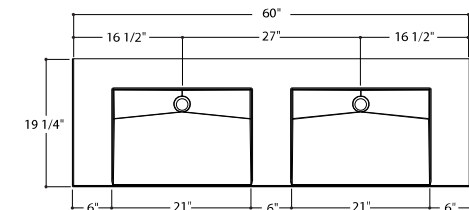
DRESSING TABLE



"U" SINK COUNTERTOP 30 X 19 1/4



"U" SINK COUNTERTOP 60 X 19 1/4

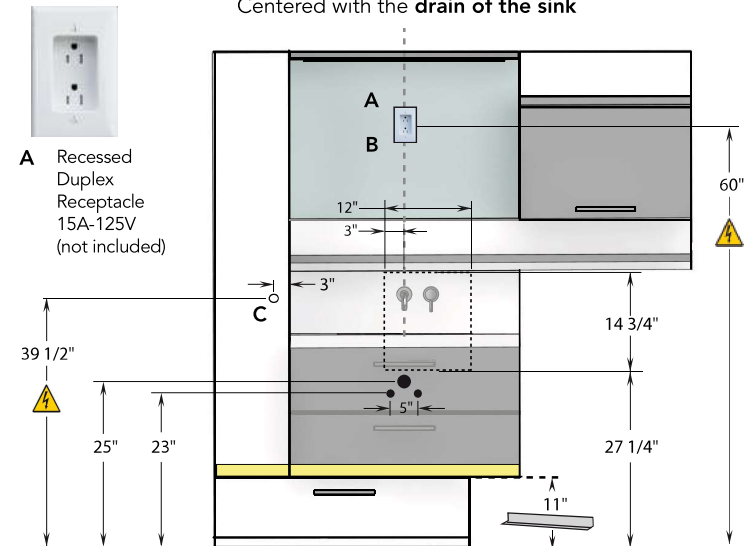


DUO | SELECTION

DIMENSIONS

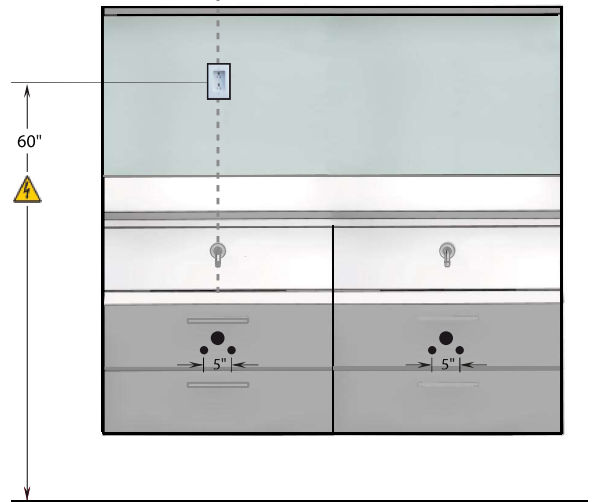
1 SINK FURNITURE

Centered with the **drain of the sink**



2 SINKS FURNITURE

Centered with the **drain of the left sink**



ONE SINK VANITY

A. MAIN LED LIGHTING

Install a recessed Duplex Receptacle 15A-125V (not included) in the wall behind the mirror, powered by a 110V 3/4 wire and connected to the main switch.

OPTIONS

B. UNDER SHELF MOOD LIGHTING

The mood lighting being activated by a motion detector, you must plan another 110V 3/4 wire to connect in the bottom of the recessed Duplex receptacle.

C. GFCI INSIDE THE NICHE

Bring out an independant 110V 3/4 wire at 3 inches on the side of the vanity near the linen cabinet and 39 1/2" above the floor.

DRESSING TABLE

D. OPTIONAL GFCI

If there is a dressing table, you must plan to bring out a 110V 3/4 independant wire to connect the GFCI outlet (not included). The wire must come out 8" from the center-left of the dressing table and 12" center from the floor.

E. DRESSING TABLE LIGHTING

To connect the dressing table interior lighting, bring out a 3/4 wire from the GFCI outlet up to 71" high and in the center of the dressing table. Leave 15" length to connect with the junction box on the top of the dressing table. (Lighting is activated when opening doors).

TWO SINK VANITY

A. MAIN LED LIGHTING

Install a recessed Duplex Receptacle 15A-125V (not included) in the wall behind the mirror, **centered with the DRAIN OF THE LEFT SINK**, powered by a 110V 3/4 wire and connected to the main switch.

OPTIONS

Same guidelines as for the one sink vanity.

Center of the dressing table

