



SHOWER PAN

Installation Instructions

04-2010

Dear customer,

Thank you for having chosen our product for your bathroom. We hope you will appreciate the functional and aesthetic advantages of our products.

WARNING: Even if all of our products go through quality control before shipping, we recommend that you inspect the content with great attention before installation.

If you see a problem, **DO NOT INSTALL THE PRODUCT.** Vanico-

Maronyx will not be held responsible for imperfections once the product has been installed.

No product can be returned to the manufacturer or replaced under warranty if it has been altered during installation such as drill holes, screws, sawing, etc. VANICO-MARONYX will not be held responsible for damages occurring during installation.

Congratulations, and enjoy!

The Vanico-Maronyx Team

READ INSTRUCTIONS CAREFULLY

The shower pan is covered with a plastic protector, which should be left intact until installation is complete.

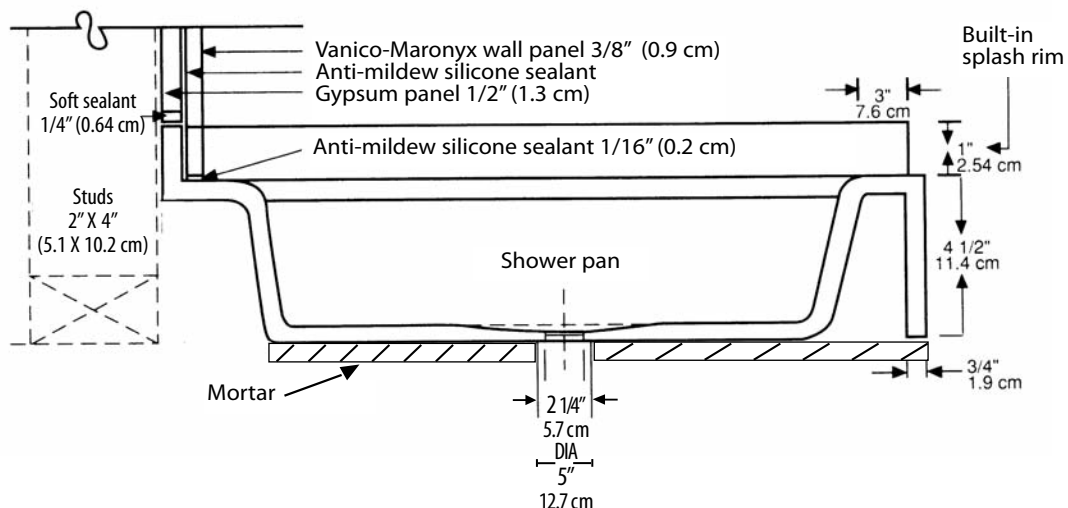
Before starting, double-check the dimensions of the installation site; the outlet hole should measure 2 1/4" (5.7 cm) in diameter and be wide enough to receive a drainage fitting measuring 2" (5.1 cm) in diameter. Make sure that the outlet hole is well aligned with drainage fitting.

Make sure that the opening in the floor measures at least 5" (12.7 cm) in diameter. Check also that the drainpipe is perfectly centered and that it projects at least 1" (2.5 cm) beyond the surface of the floor.

Put the drain fitting in place. Spread a layer of mortar on the floor where the shower should be installed. Install the shower pan on the mortar footing, making sure that it is perfectly level in all directions. Leave the mortar to dry completely. Join the drain fitting and trim excess drainpipe.

Install the waterproof gypsum panel 1/4" (0.6 cm) above the splash rim. Caulk the joint with a soft sealing compound.

KEEP THIS SHEET FOR FUTURE REFERENCE



WALL PANELS

Install the wall panels around the shower pan following the instructions supplied.

MAINTENANCE

UNIMAR FINISH

For daily maintenance, use a soft cloth or sponge and a non-abrasive bathroom detergent. **Never use abrasive creams or powders.**

For persistent stains caused by hard water or other ferrous residues, clean with a soft cloth and a product specially formulated for this type of stain and containing no ammonia or bleach. For example you can obtain good results with a product like "Cerama Bryte" ceramic cooktop cleaner: Apply on the surface, let sit for a few minutes, rub lightly with a soft cloth. Always test the product on an inconspicuous area before applying to the entire surface.

You can also remove lime scale with a no scratch bathroom scrub sponge such as "Vileda".
Warning: Remove any trace of cleaner on the surface before using the scrub pad and test it on an inconspicuous area.

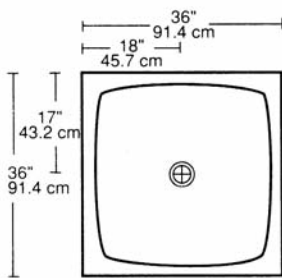
For superficial scratches or cigarette burns, sand the surface using a fine grain sanding paper (#1000 to 2000) and water. Then polish using a polisher with a soft bonnet coated with a polishing cream such as used in the automobile industry.

SATINE FINISH

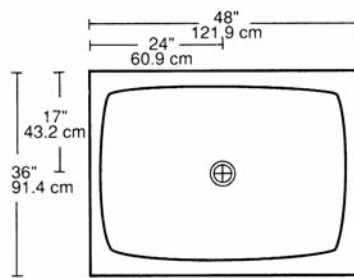
Follow the same instructions as Unimar finish except for two things:

1. Satin being made of very resistant mineral particle, you can use abrasive cream occasionally.
2. In case of superficial scratches or cigarette burns, do not polish the surface after the sanding.

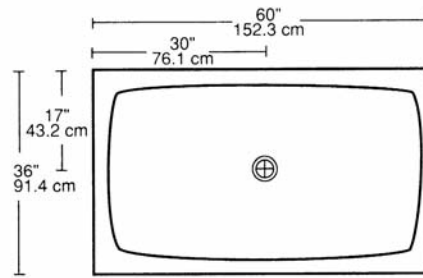
For more serious damage, contact our customer service department to inquire about



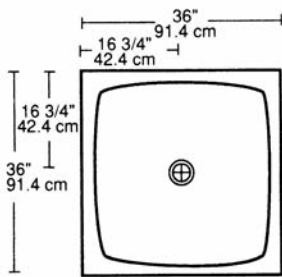
36" X 36" pan with sill.
Enclosed by 3 panels.



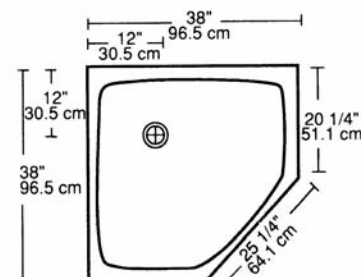
36" x 48" pan with single or double sill.
Corner installation between 2 panels or enclosed by 3 panels.



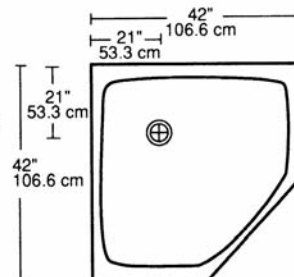
36" X 60" pan with single sill.
Enclosed by 3 panels



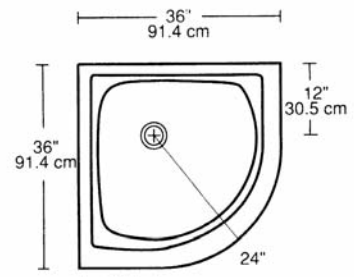
36" X 36" pan with double sill. Corner installation between 2 panels



38" X 38" neo-angle pan.
Corner installation between 2 panels



42" X 42" neo-angle pan.
Corner installation between 2 panels



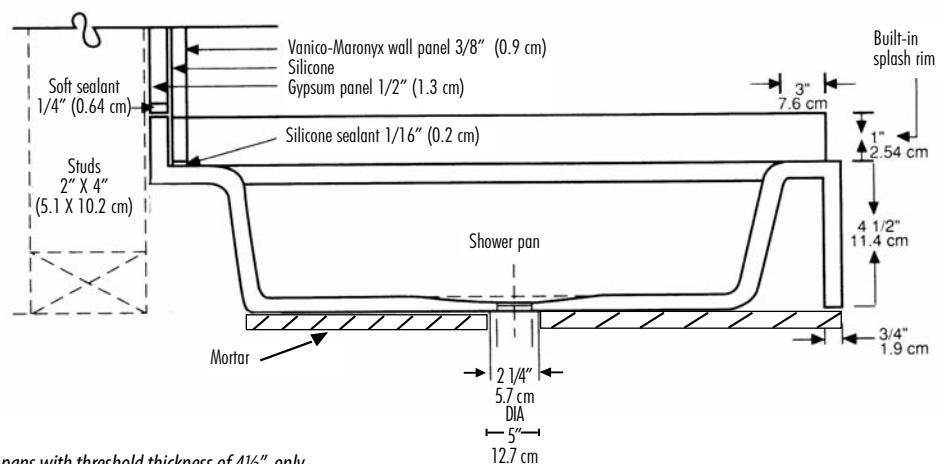
36" X 36" pan with roundsill.
Corner installation between 2 panels

KEY TO SHOWER PAN DIAGRAMS

Compliance Certifications

Our polymer shower pans* meets or exceeds the following specifications:

- CSA B 45
 - ANSI Z124.3
- Product Listing:
- IAPMO/UPC



*shower pans with threshold thickness of 4 1/2" only.