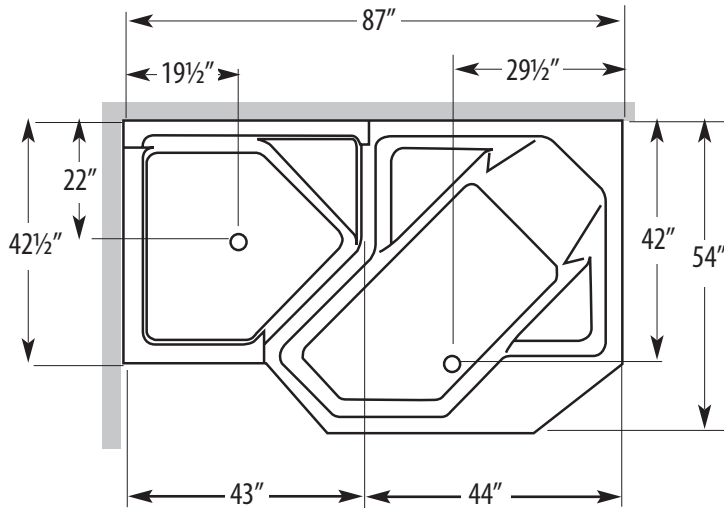




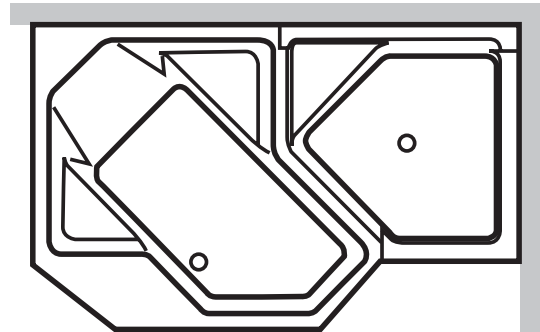
OPERA BATHTUB & SHOWER DUO

Dimensions

RIGHT MODEL CORNER INSTALLATION



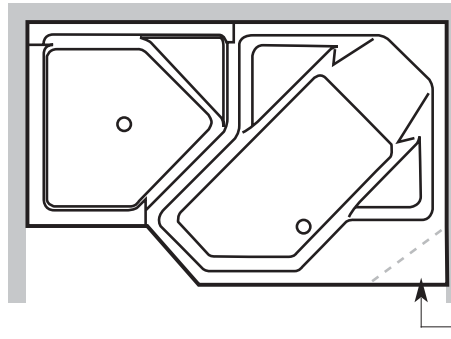
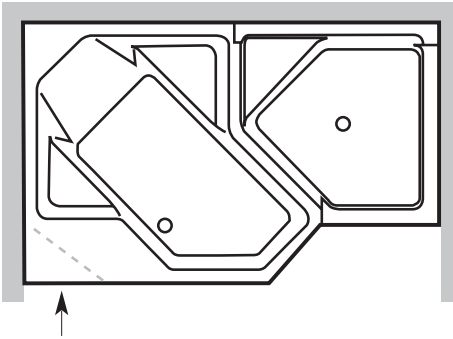
LEFT MODEL CORNER INSTALLATION



Weight :
160 pounds/73 Kg

Water Capacity:
(Overflow including
1 person) 54 gal. imp./245 l

3 WALL INSTALLATION



In a 3 wall installation, the corner of the bathtub deck will be squared.



- The Opera is the perfect solution to suit a shower and a bath in a small bathroom.
- The Opera is also available without wood crown molding.
- Accessories are available in polished chrome, polished brass or brushed nickel.
- The tub apron is available in the most popular materials and colors offered in the Prisma Collection.

NOTE: Available in Canada only.