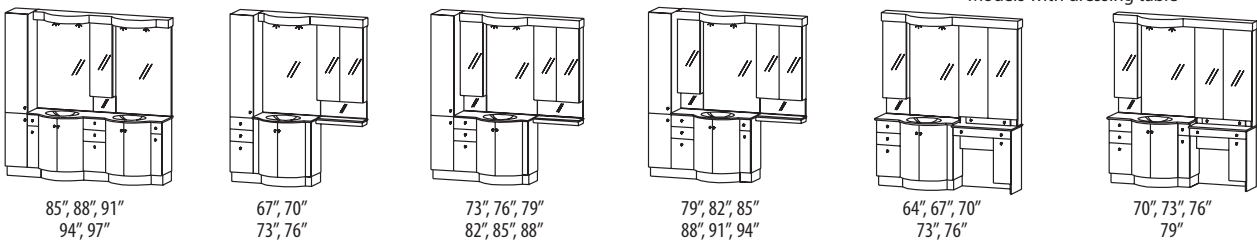
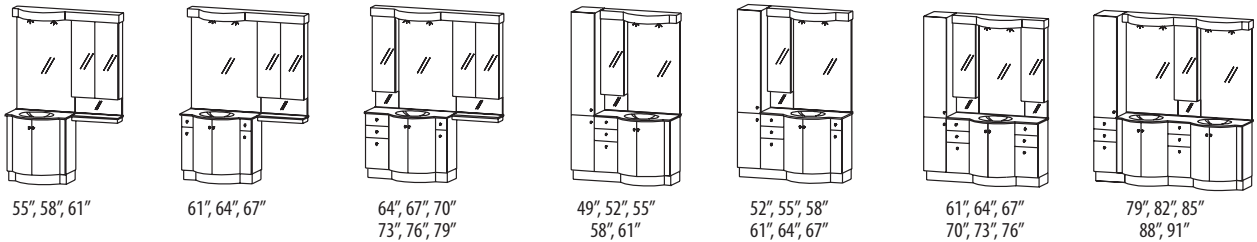
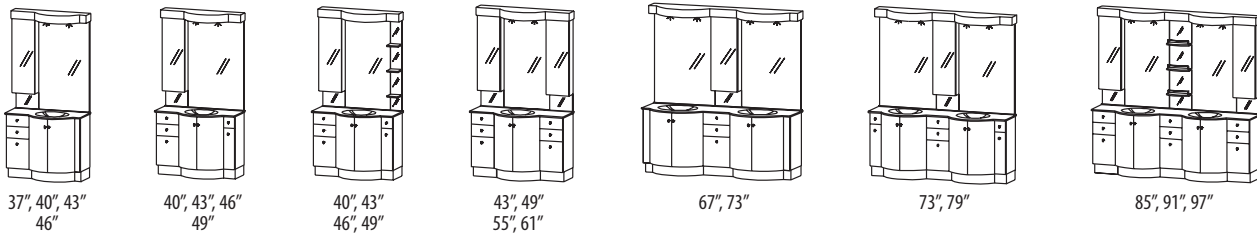
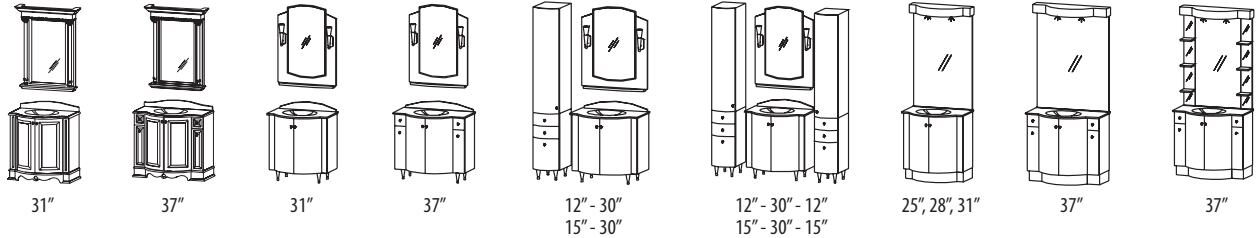


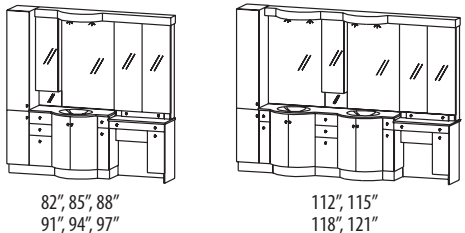
**Available arrangements**

Some dimensions can be varied and layouts can be reversed.)

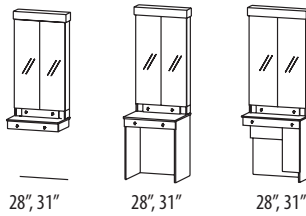
Powder rooms



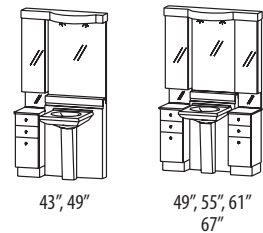
Models with dressing table



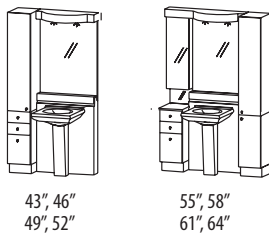
Dressing tables



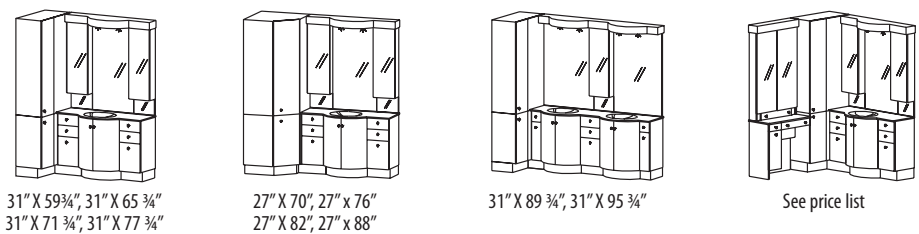
Models for pedestal washbasin



Models for pedestal washbasin



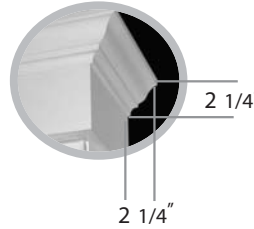
Corner models



## Planning notes



The lighting unit and the counter top always overlaps the cabinet.



### TOTAL HEIGHT

- without crown molding: 83-1/2"
- with crown molding: 85-3/4"

### WITH POLYMER VANITY TOP:

- Overlap of 1/2" on each side.



### WITH MARBLE OR GLASS VANITY TOP:

- Overlap of 5/8" on each side. **Add 1/4" to the total width indicated in the catalog.**



A filler always closes the gap between the vanity (upper & lower) and a linen cabinet or a wall.

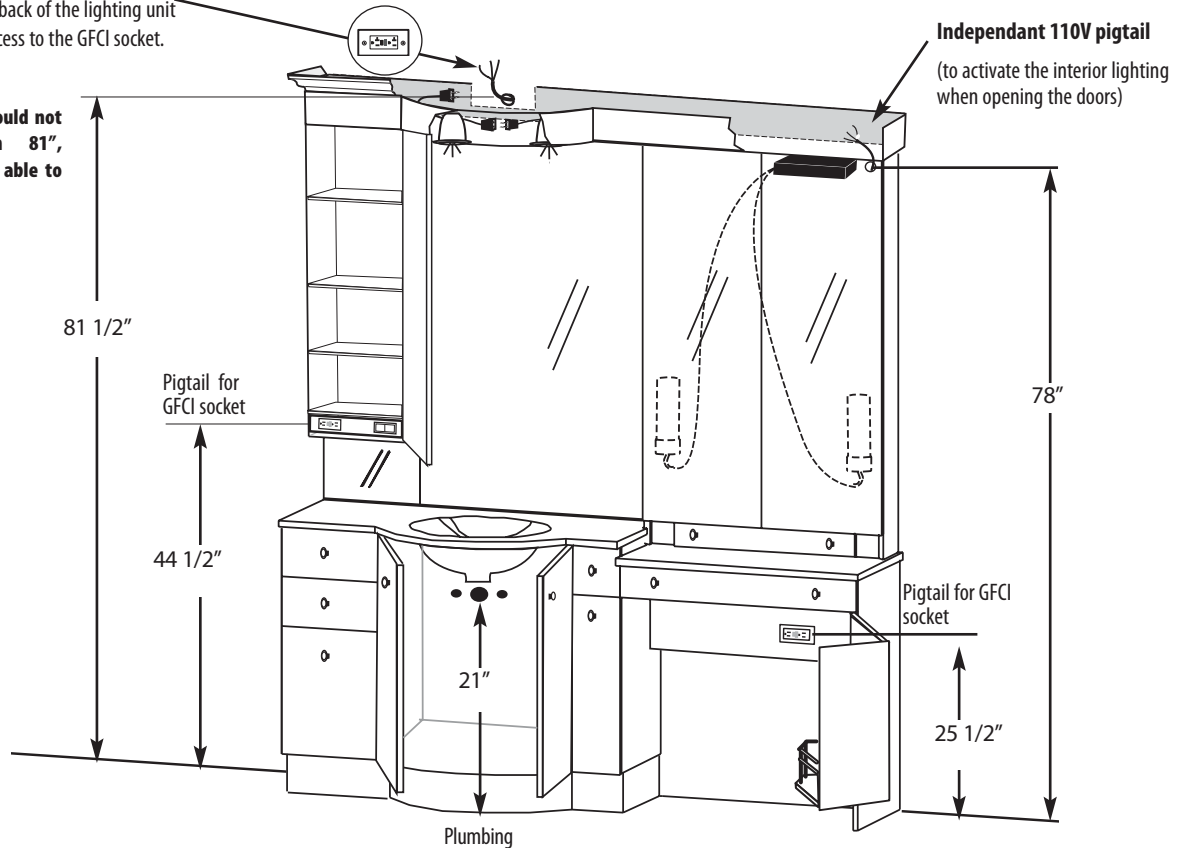
- Between a linen cabinet and a wall: filler is always 5/8".
- With polymer countertop: 1/2" filler.
- With glass and marble countertop: 5/8" filler.

## Electricity and plumbing specifications

**110V pigtail with GFCI socket** to connect the male plug of the lighting unit. The back of the lighting unit will have to be cut to give access to the GFCI socket.

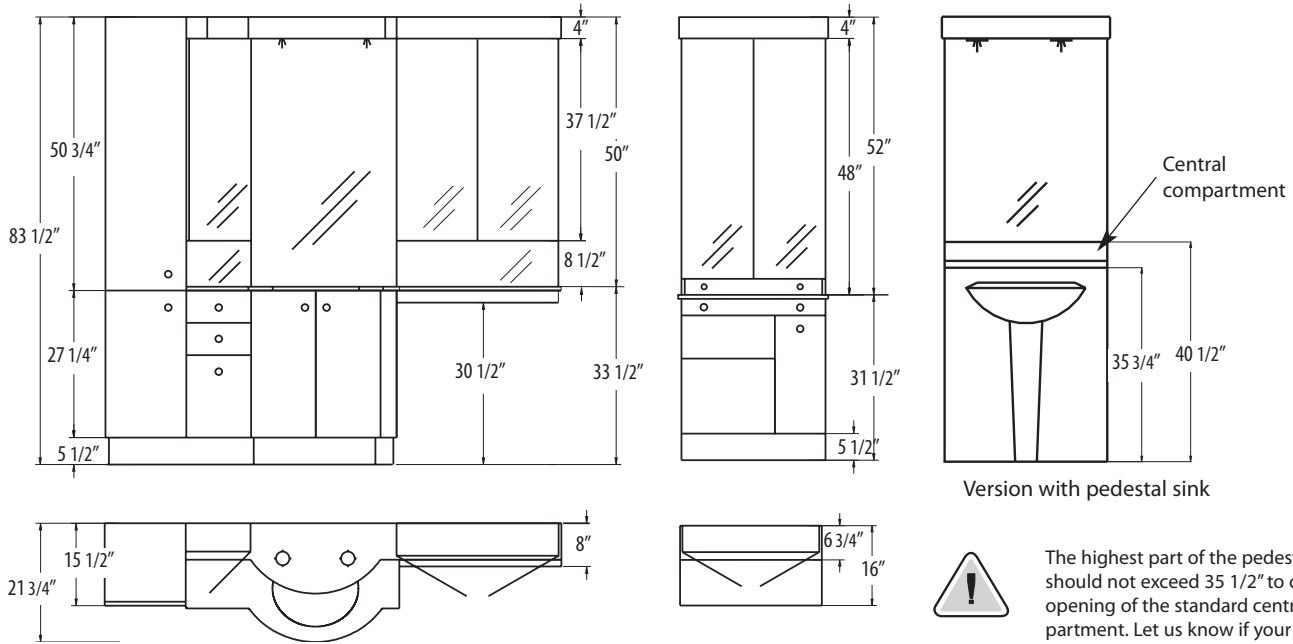


The GFCI socket should not be lower than 81", otherwise you will not be able to plug the lighting.

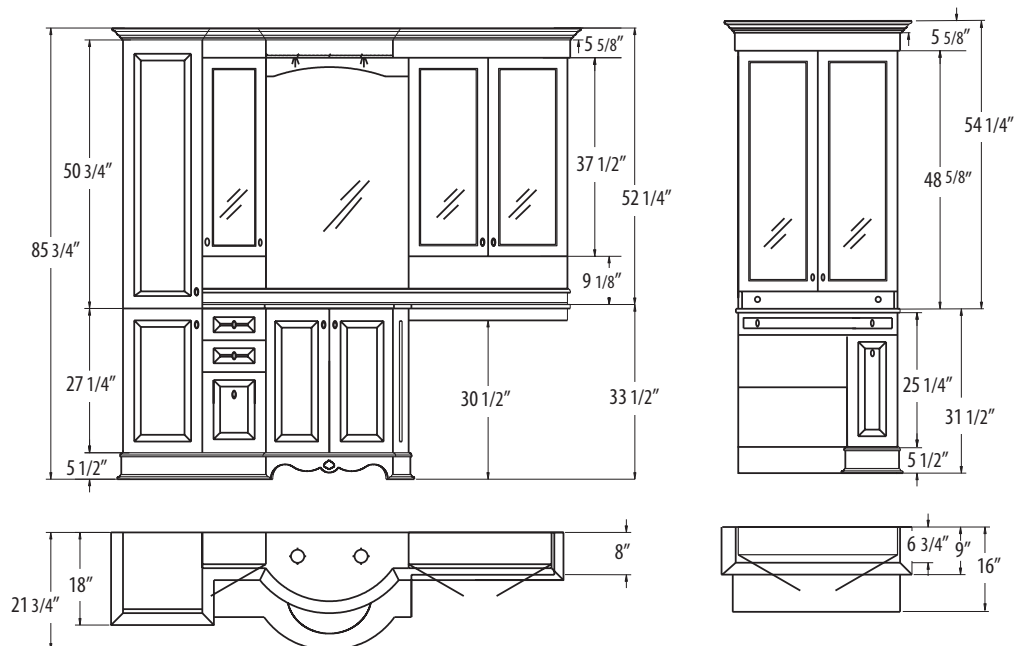


## Dimensions

### CONTEMPORARY STYLE



### SHAKER OR HERITAGE STYLE (raised panel)



# Dimensions

## CONTEMPORARY STYLE (flat panel)

- MATERIALS**
- Laminate
  - Wood veneer

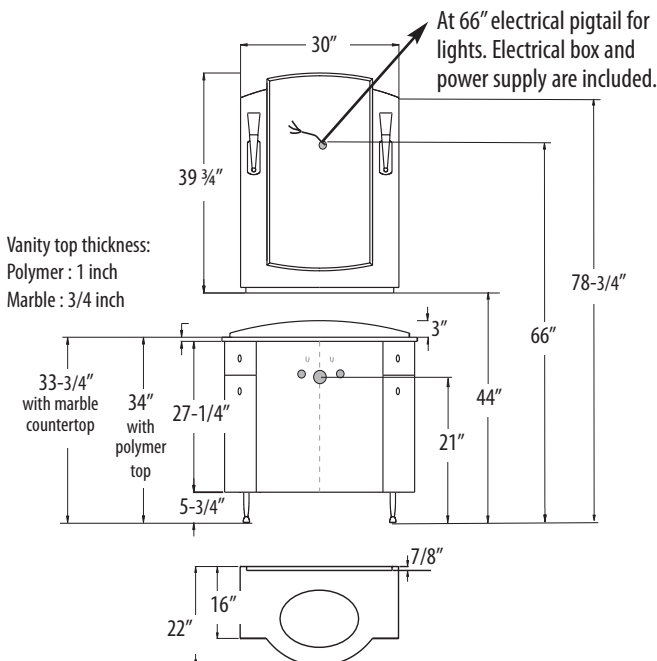
### STANDARD CONFIGURATION

- Bevelled mirror
- Two wall fixtures, polished chrome, polished brass or brushed nickel
- Polymer shelf under the mirror
- Lower cabinet: 31" or 37" wide
- Metal legs available in polished chrome, polished brass or brushed nickel, comes with levellers.



### DIMENSIONS

Tango model with metal legs

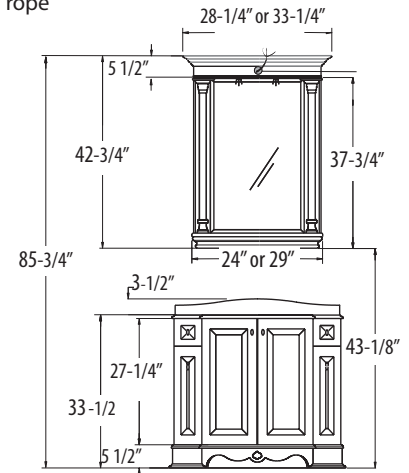


## HERITAGE/SHAKER STYLE (raised panel)

- MATERIALS**
- MDF lacquer
  - MDF wood
  - Solid wood

### MODEL WITH MIRROR ONLY

- Crown molding
- 2 recessed lights
- Bevelled mirror
- Frame with decorative column and twisted rope
- Molded vanity top with decorative backsplash
- 25", 28", 31" or 37" wide
- Deluxe toe-kick

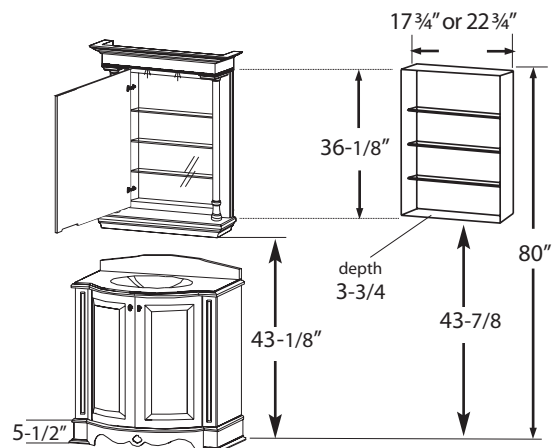


### MODEL WITH MEDICINE CABINET

Can be recessed in the wall or wall-mounted



**N.B. With the recessed medicine cabinet, the dry wall will have to be cut out**



The medicine cabinets features a mirror on interior back panel and 3 glass shelves.



These consoles cannot be modified.