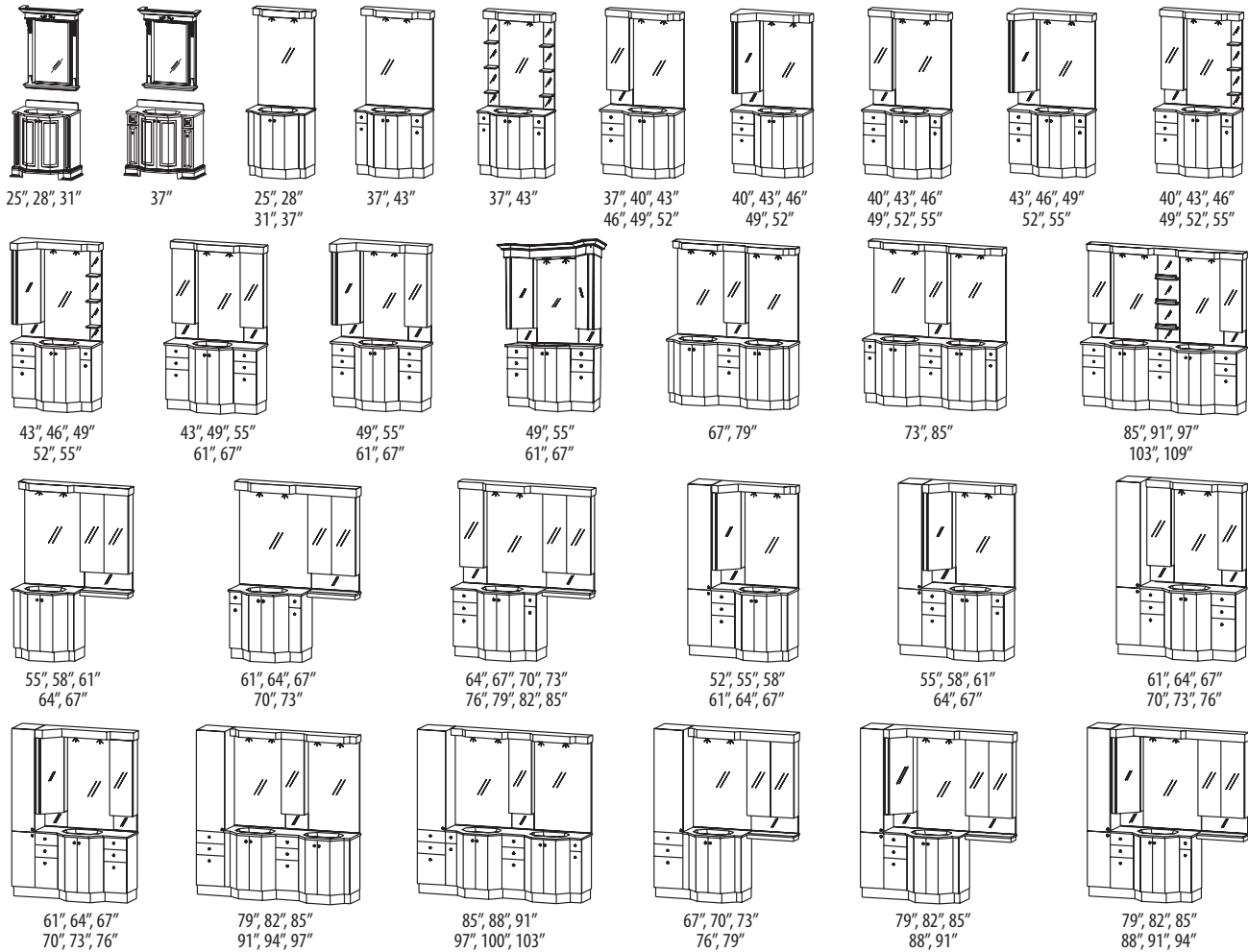




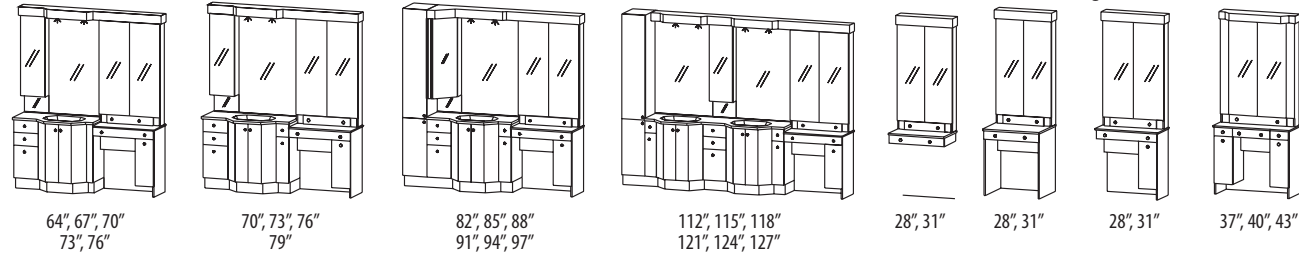
# PRISMA 3000

## Available arrangements (Some dimensions can be varied and layouts can be reversed)

### Powder room

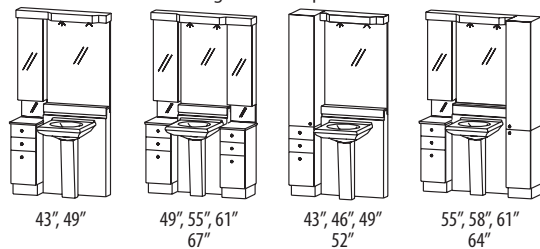


### Arrangements with dressing table

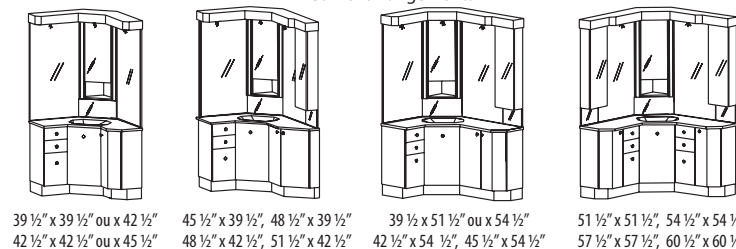


### Dressing tables

### Arrangements for pedestal sink



### Corner arrangements





**TECHNICAL SPECIFICATIONS**

**Planning notes**



The lighting unit and the counter top always overlaps the cabinet.

**WITH POLYMER VANITY TOP:**

- Overlap of 1/2" on each side.

**WITH MARBLE & GLASS VANITY TOP:**

- Overlap of 5/8" on each side. **Add 1/4" to the total width indicated in the catalog.**



**TOTAL HEIGHT**

- without crown molding: 83-1/2"
- with crown molding: 85-3/4"



A filler always closes the gap between the linen cabinet, the medicine cabinet and the vanity.

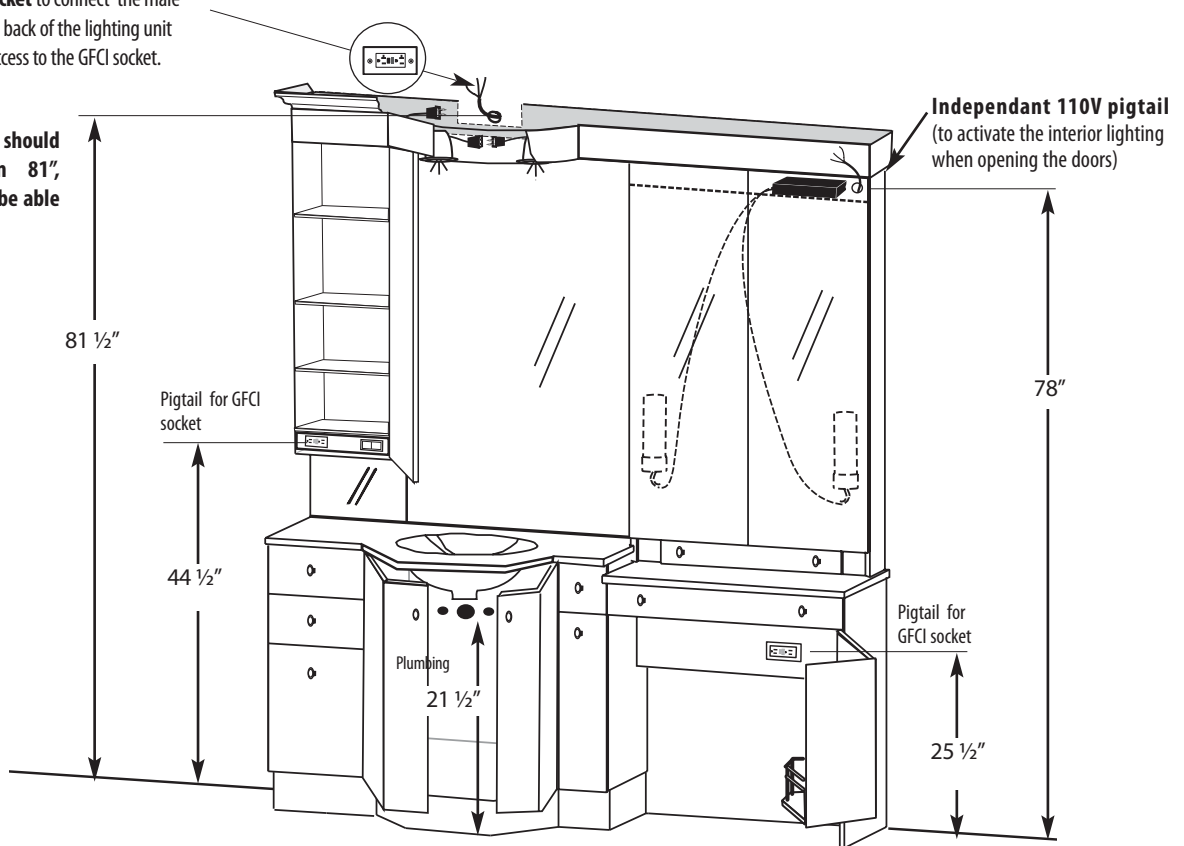
- Between linen and wall: 5/8" filler
- Between vanity and wall: 5/8" filler
- Between vanity and linen cabinet: 1/2" filler with polymer and 5/8" filler with glass or marble countertop.

**Electricity and plumbing specifications**

**110V pigtail with GFCI socket** to connect the male plug of the lighting unit. The back of the lighting unit will have to be cut to give access to the GFCI socket.

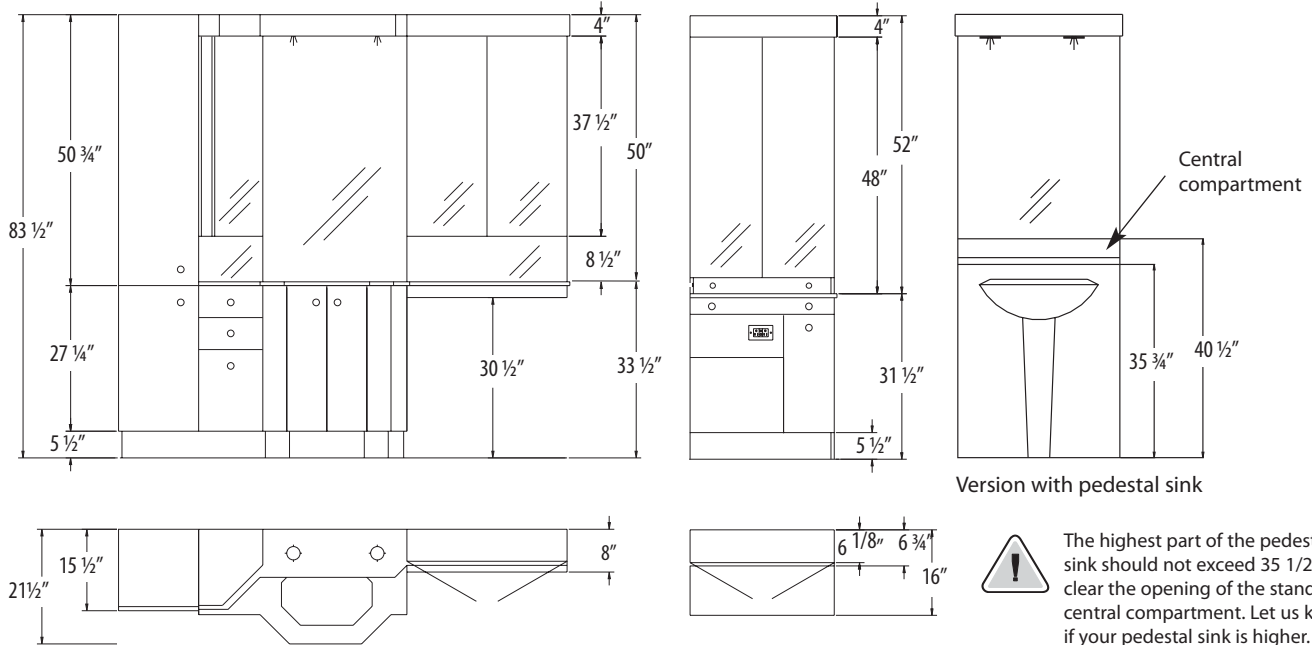


The GFCI socket should not be lower than 81", otherwise you will not be able to plug the lighting.

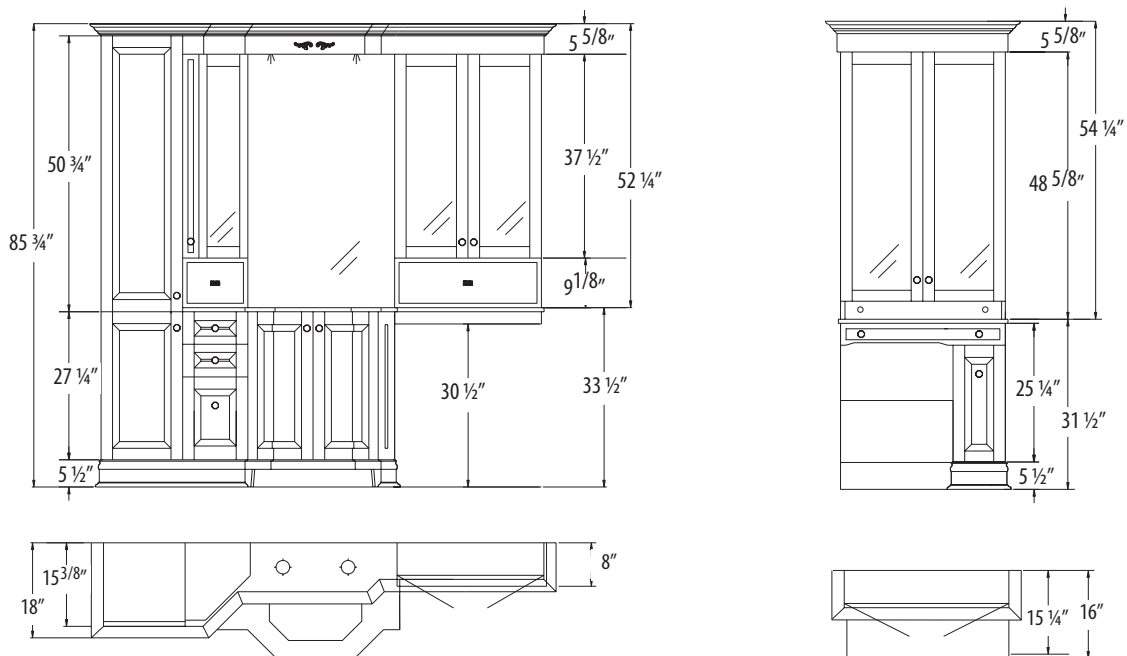


## Dimensions

### CONTEMPORARY STYLE



### HERITAGE STYLE (Raised panel) OR SHAKER



With Heritage Melamine models, the upper medicine cabinet doors feature full, borderless mirrors. Only MDF lacquer, MDF wood and solid wood models features decorative element on the lighting unit. The service panels under the medicine cabinet varies according to finish.



# Powder Room model

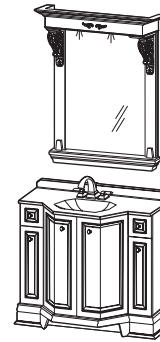
# PRISMA 3000



- AVAILABLE MATERIALS**
- MDF lacquer
  - MDF Wood
  - Solid Wood
- } Shaker or Heritage style

## STANDARD CONFIGURATION

- Crown molding
- 2 lights
- Bevelled mirror
- Mirror 24" or 29" wide
- Lower cabinet: 25", 28", 31" or 37" wide
- Deluxe toe-kick



The standard model does not have a medicine cabinet

◀ 25", 28", 31" or 37" ▶

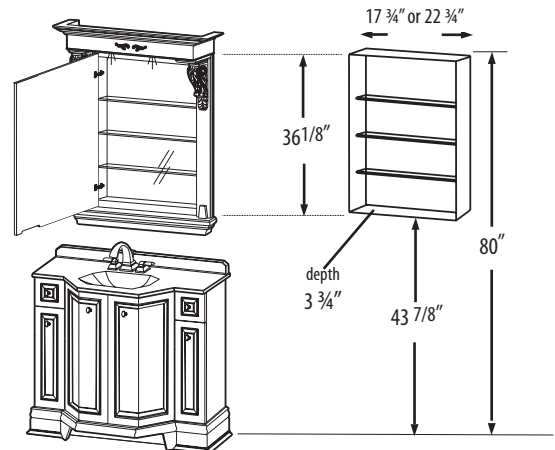
## OPTIONAL

### MODEL WITH MEDICINE CABINET

Can be recessed in the wall or wall-mounted



**NOTE: WITH THE RECESSED MEDICINE CABINET, THE DRY WALL WILL HAVE TO BE CUT OUT**



The medicine cabinets features a mirror on interior back panel and 3 glass shelves.

## DIMENSIONS

