



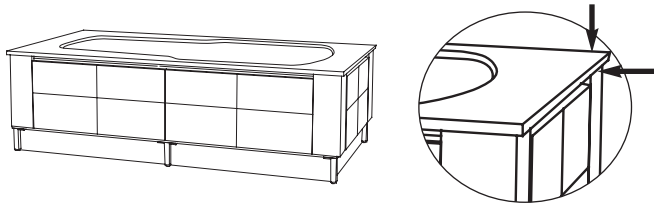
LINEA 3000

Tub Podiums & Tub Aprons

DIFFERENCE BETWEEN THE "TUB APRON" AND THE "PODIUM"

TUB APRON = FLUSH WITH THE TUB EDGE

VANICO-MARONYX BATHTUBS ONLY



TUB APRON: RESTRICTIVE UTILIZATION

BECAUSE IT IS INSTALLED FLUSH WITH THE BATHTUB, THE TUB APRON MUST MEET THE FOLLOWING CONDITIONS:

- A strong anchorage or a very strong bathtub (usual acrylic bathtubs are not strong enough).
- Very precise information about
 - the exact bathtub shape;
 - the space required for air therapeutic systems (if applicable).

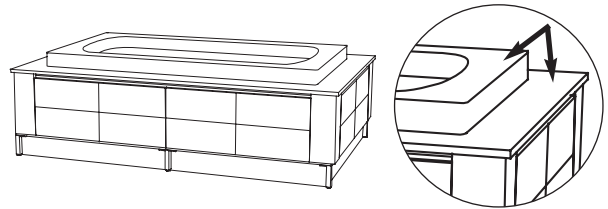
In brief, perfect control of all the components is essential to insure safe installation and perfect integration of the tub apron with the bathtub.

For these reasons, the tub apron is only available with the 2 following models of Vanico-Maronyx polymer bathtubs:

- Diva.
- Celebes.

PODIUM = ALWAYS WITH A DECK REVEALED

FITS WITH MOST DROP-IN BATHTUBS



PODIUM: UNIVERSAL

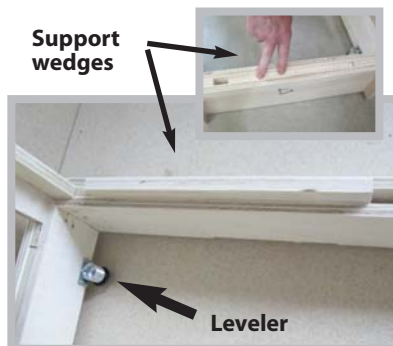
The podium is an all-in-one concept, custom-made designed to fit with almost all bathtub models thanks to the available space under the tub deck that permits a precise adjustment.

Note: If your bathtub is not a Vanico-Maronyx model, you must send us in advance the precise specifications and dimensions of your bathtub to insure a custom adjustment.

STANDARD FEATURES: Tub apron and podium

1. EASY TO INSTALL

- Plywood $\frac{3}{4}$ " framework with levelers to facilitate initial leveling.
- Support wedges are pushed tightly against the floor to reinforce the frame of the podium or the apron and distribute the weight.
- Install directly on the floor surface (ceramic or marble tiles) and against the wall.
- Elements are designed to fit together perfectly, without any cutting or adjustment. There is no other requirement except installation.



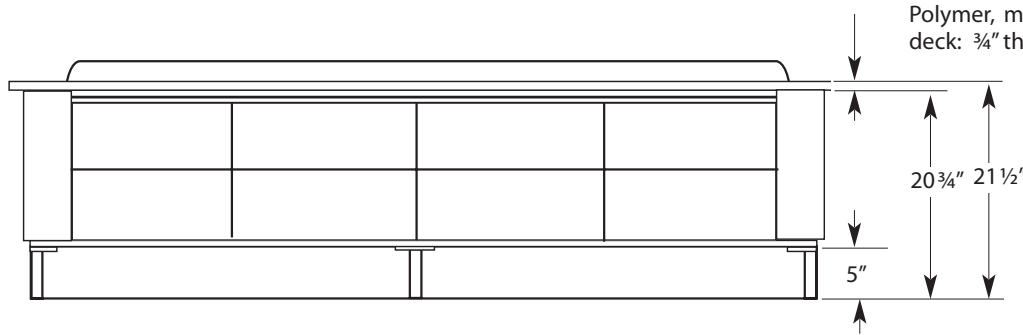
Plywood framework included with the tub podium





LINEA 3000

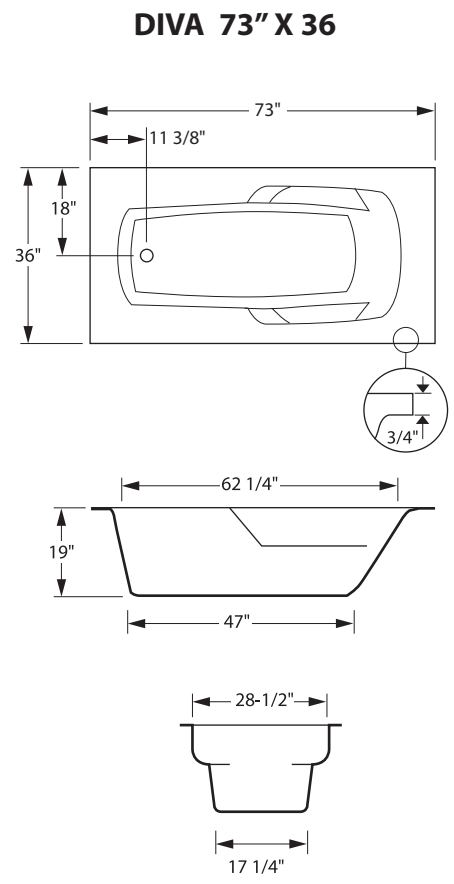
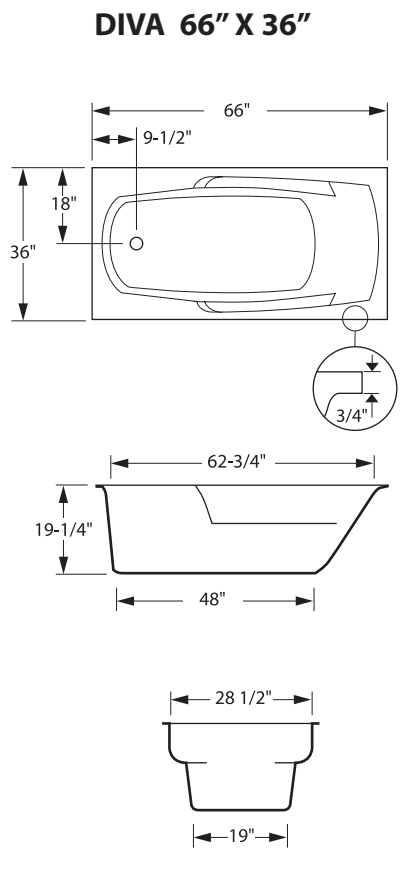
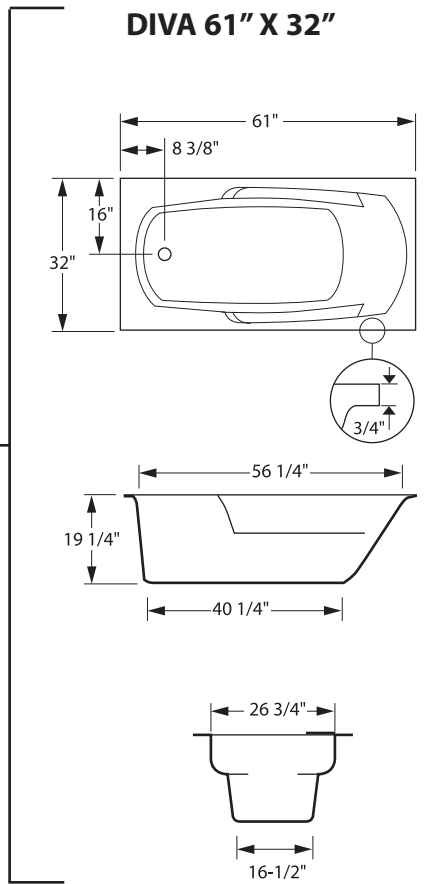
General dimensions (tub podiums & tub aprons)



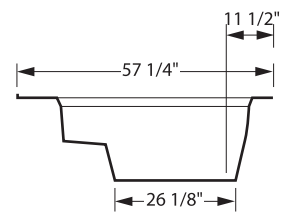
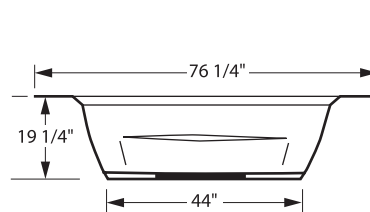
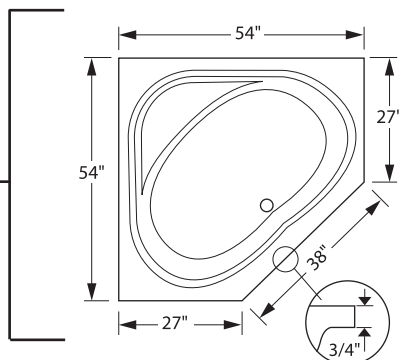
Height dimensions are standard. Make sure your bathtub height will fit.

On demand, the podium could be made higher (with an extra) or lower.

Diva Bathtubs



Celebes 54" X 54"



Podiums (for drop-in bathtubs)
Total dimensions minimum to maximum

Podiums between 3 walls	 60" x 33½" to 78" x 45½" Rectangular bathtub, front side tub deck (front)	 67" x 37" to 91" x 55" Rectangular bathtub, 4 sides tub deck	 67" x 37" to 85" x 49" Oval bathtub, 4 sides tub deck
Corner podiums	 63½" x 33½" to 81½" x 45½" Rectangular bathtub, 2 sides tub deck	 67" x 37" to 85" x 49" Rectangular bathtub, 4 sides tub deck	 67" x 37" to 85" x 49" Oval bathtub, 4 sides tub deck
Neo-angle podiums	 51½" x 51½" to 69½" x 69½" Neo-angle bathtub, 3 sides tub deck	 55" x 55" to 73" x 73" Neo-angle bathtub, 5 sides tub deck	 67" x 67" to 85" x 85" Oval bathtub, 5 sides tub deck
Podiums against a back wall	 67" x 33½" to 85" x 45½" Rectangular bathtub, 3 sides tub deck	 67" x 37" to 85" x 49" Rectangular bathtub, 4 sides tub deck	 67" x 37" to 85" x 49" Oval bathtub, 4 sides tub deck
Podiums against a back wall	 63½" x 37" to 75½" x 49" Rectangular bathtub, 3 sides tub deck	 67" x 37" to 85" x 49" Rectangular bathtub, 4 sides tub deck	 67" x 37" to 85" x 49" Oval bathtub, 4 sides tub deck
Free standing podiums	 67" x 37" to 85" x 49" Rectangular bathtub, 4 sides tub deck	 67" x 37" to 85" x 49" Oval bathtub, 4 sides tub deck	

Tub aprons for Diva and Celebes bathtubs

Between 3 walls	 61" x 32", 66" x 36", 73" x 36" Diva bathtub	In a corner	 61" x 32", 66" x 36", 73" x 36" Diva bathtub	Against a back wall only	 61" x 32", 66" x 36", 73" x 36" Diva bathtub
Against a back wall only	 61" x 32", 66" x 36", 73" x 36" Diva bathtub	Free- standing	 61" x 32", 66" x 36", 73" x 36" Diva bathtub	Corner Celebes	 54" x 54" Celebes bathtub