



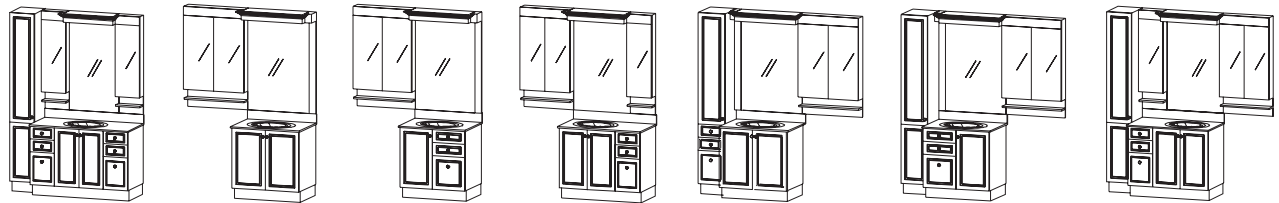
# CONTEMPRA ALLEGRIA DIAMANTE

**Available arrangements**  
(Some dimensions can be varied and layouts can be reversed.)

## CONTEMPRA

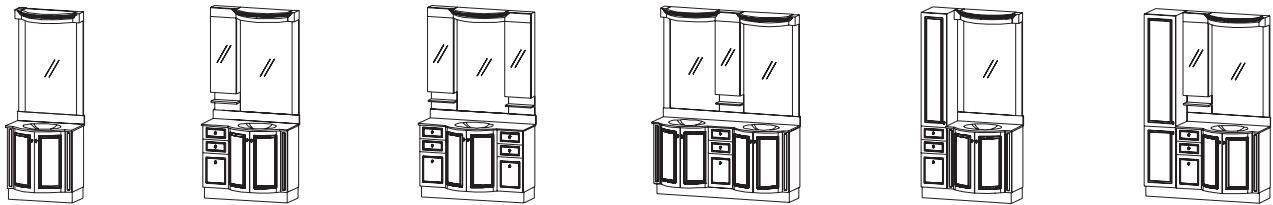


25", 31"    25", 31"    37", 43"    43", 49"  
55", 61"    61", 73"    37", 40"  
43", 46"    49", 52"  
55", 58"    73", 76"  
85", 88"

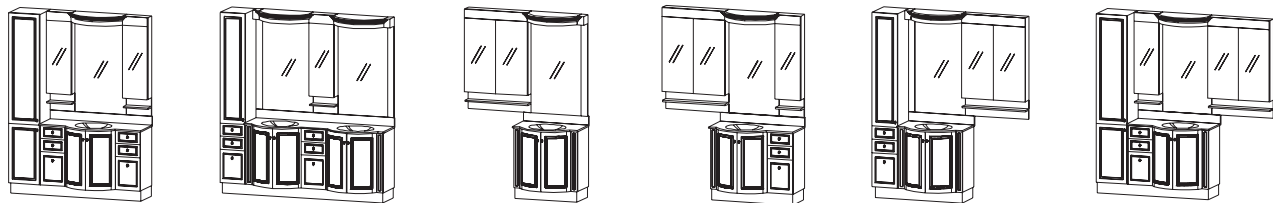


55", 58", 61", 64"    48<sup>1/2</sup>", 51<sup>1/2</sup>"    48<sup>1/2</sup>", 51<sup>1/2</sup>"    60<sup>1/2</sup>", 63<sup>1/2</sup>"    60<sup>1/2</sup>", 63<sup>1/2</sup>", 66<sup>1/2</sup>"    60<sup>1/2</sup>", 63<sup>1/2</sup>", 66<sup>1/2</sup>"    72<sup>1/2</sup>", 75<sup>1/2</sup>", 78<sup>1/2</sup>"  
67", 70", 73", 76"    54<sup>1/2</sup>", 57<sup>1/2</sup>", 60<sup>1/2</sup>"    54<sup>1/2</sup>", 57<sup>1/2</sup>", 60<sup>1/2</sup>"    66<sup>1/2</sup>", 69<sup>1/2</sup>", 72<sup>1/2</sup>"    69<sup>1/2</sup>", 72<sup>1/2</sup>", 75<sup>1/2</sup>"    69<sup>1/2</sup>", 72<sup>1/2</sup>", 75<sup>1/2</sup>"    81<sup>1/2</sup>", 84<sup>1/2</sup>", 87<sup>1/2</sup>"

## ALLEGRIA AND DIAMANTE



31"    37", 40"  
43"    43", 49", 55"    67"    43", 46"    49", 52"  
55", 58"



55", 58", 61"  
64", 67", 70"    79", 82"    57<sup>1/2</sup>"    63<sup>1/2</sup>", 66<sup>1/2</sup>"  
69<sup>1/2</sup>"    69<sup>1/2</sup>", 72<sup>1/2</sup>"    75<sup>1/2</sup>", 78<sup>1/2</sup>"  
81<sup>1/2</sup>", 84<sup>1/2</sup>"

**Dimensions are variable**

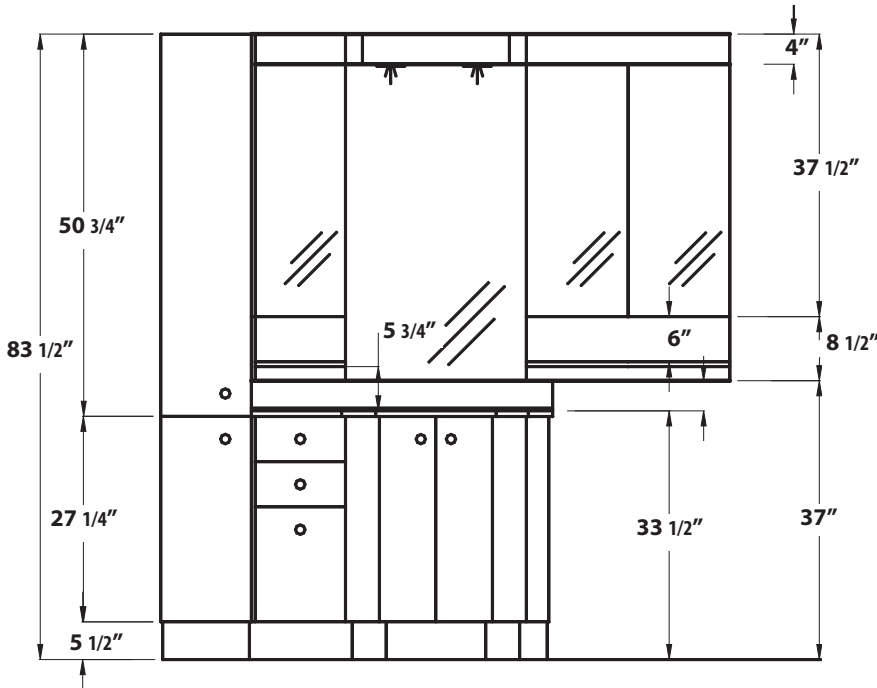


# TECHNICAL SPECIFICATIONS

Dimensions, electrical  
and plumbing specifications

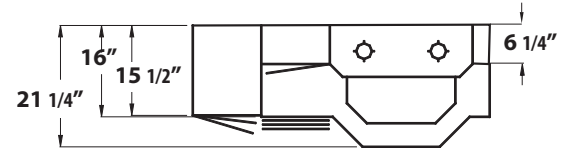
# CONTEMPRA ALLEGRIA DIAMANTE

## HEIGHTS All collections

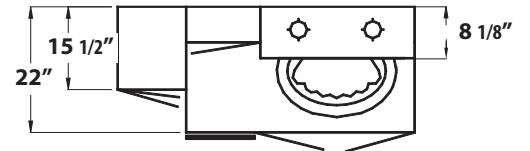


## DEPTHS

### Allegria and Diamante

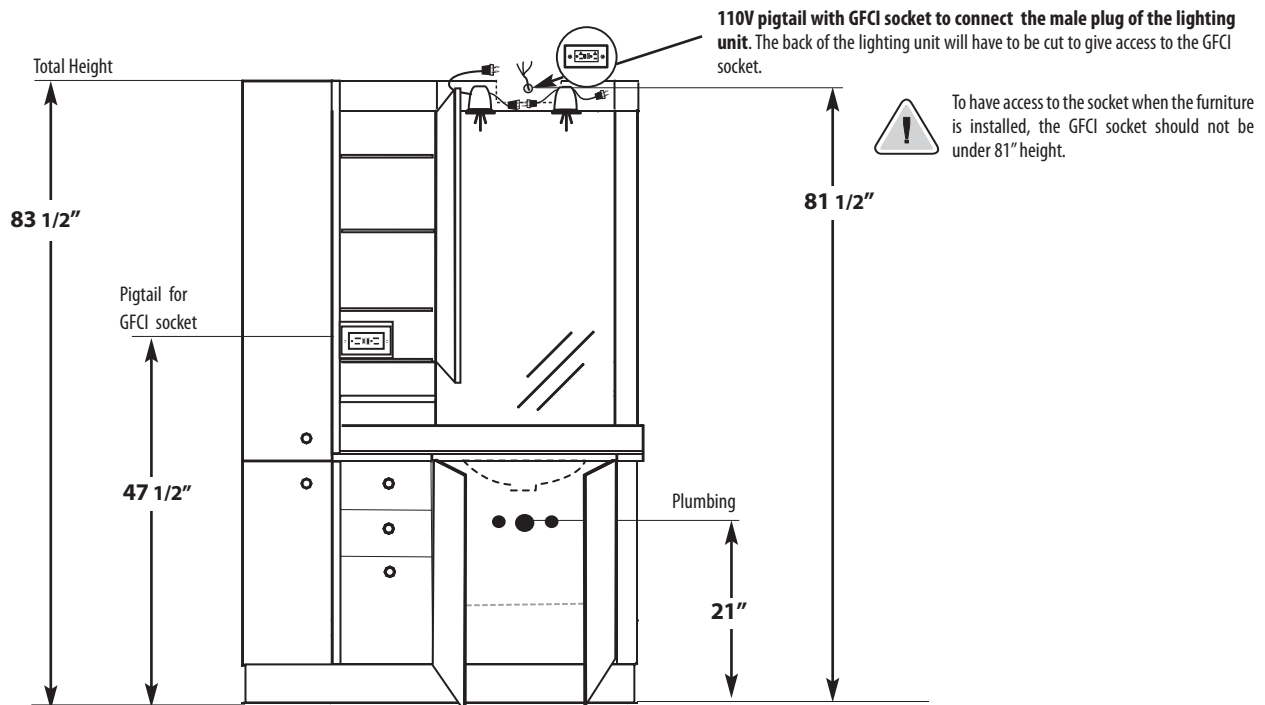


### Contempra

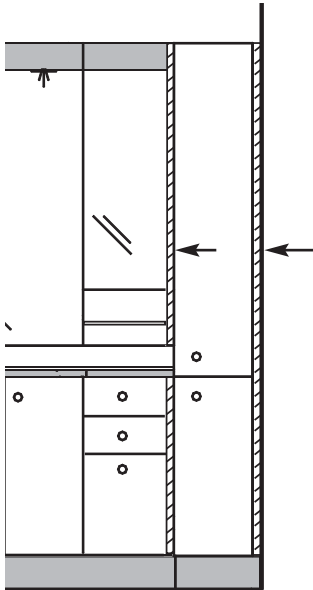


NOTE: Dimensions are variable.

## ELECTRICAL AND PLUMBING SPECIFICATIONS



## A. INSTALLATION ON A LATERAL WALL OR LINEN CABINET



The counter and backsplash always exceed the vanity. A filler is therefore always used between the vanity and linen cabinet, the wall and vanity, and the wall and linen cabinet.

- Between linen and wall: 5/8" filler
- Between vanity and wall: 5/8" filler
- Between vanity and linen cabinet: 1/2" filler with polymer and 5/8" filler with marble countertop.



With a marble countertop, it is necessary to add 1/4" to the total width indicated in the price list.

## DIMENSIONS ARE VARIABLE

The total width can be adjusted in the Optimum Series to fit with the bathroom space. When ordering between 2 walls, or an arrangement larger than the ones suggested in the price list, **you must go up to the next width size pricing.** The size of the furniture will be adjusted accordingly.

If your dimensions are larger than the larger size in the price list, please contact the Customer service.

### Example:

- Available space is 46"
- Furniture dimensions in the price list are 43" or 49"
- The price of 49" arrangement must be selected. The modules will be enlarged to fit the 46". If needed, a filler will complete the adjustment.

