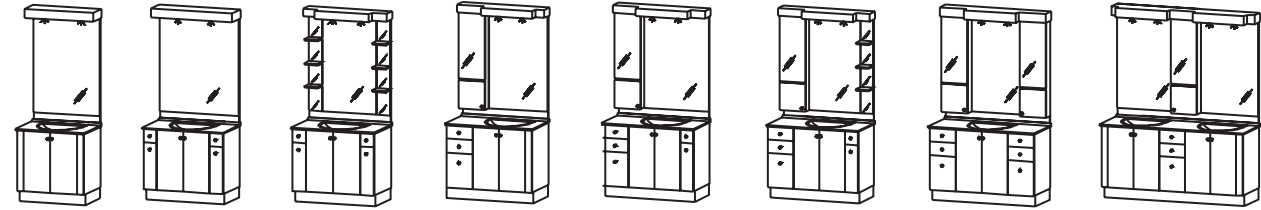
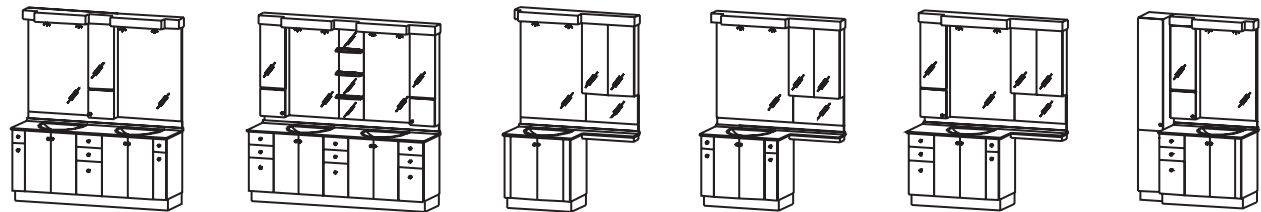


Available arrangements

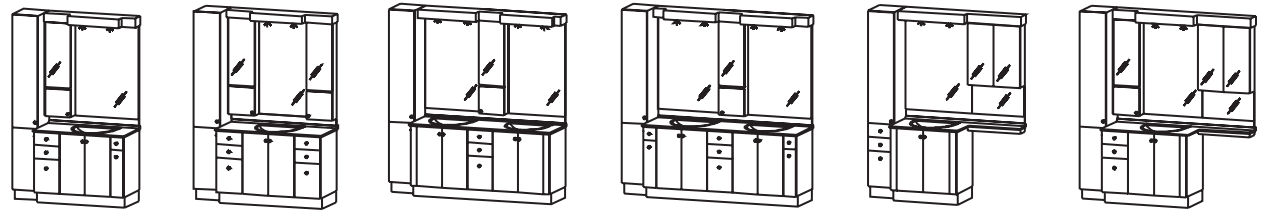
(Most dimensions can be varied and layouts can be reversed)



25", 28", 31", 37" 37", 43" 37", 43" 40", 43", 46"
49", 52" 43", 46", 49" 43", 46", 49" 49", 55"
61", 67", 79"



73", 85" 85", 91", 97"
103", 109" 55", 58", 61"
64", 67" 61", 64", 67"
70", 73" 67", 70", 73"
76", 79", 82", 85" 52", 55", 58"
61", 64", 67"



55", 58", 61"
64", 67" 61", 64", 67"
70", 73", 76" 73", 76", 79", 82", 85"
91", 94", 97" 85", 88", 91"
97", 100", 103" 67", 70", 73"
76", 79" 79", 82", 85"
88", 91"



79", 82", 85"
88", 91", 94" 67", 70"
73", 76" 70", 73"
76", 79" 82", 85", 88"
91", 94", 97" 112", 115", 118"
121", 124", 127"

Dressing Tables

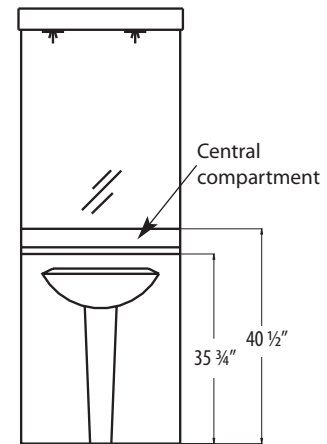
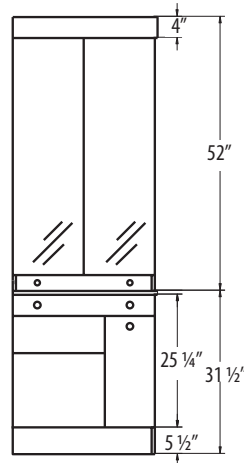
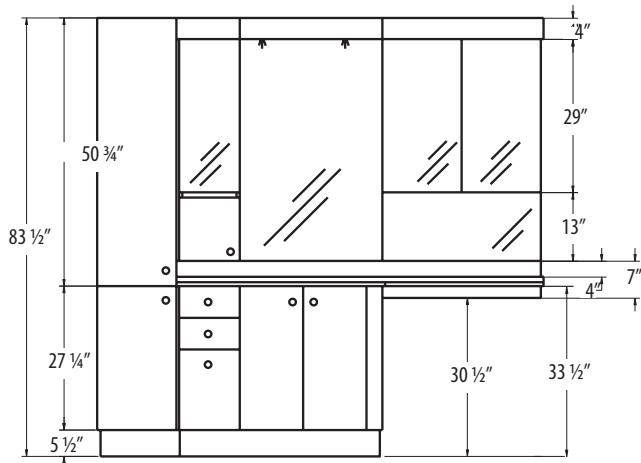
Pedestal washbasin models



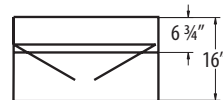
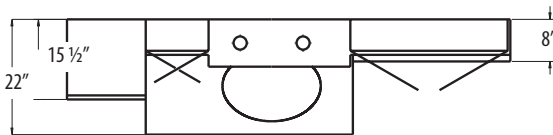
28", 31" 28", 31" 28", 31" 37", 40", 43"
43", 49" 49", 55"
61", 67" 43", 46",
49", 52" 55", 58",
61", 64"

Dimensions

Contemporary style

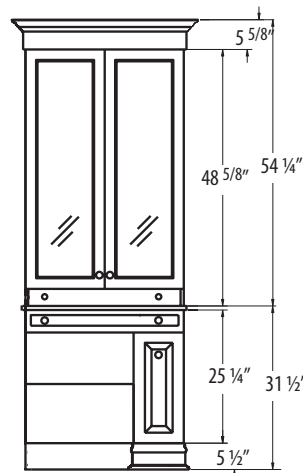
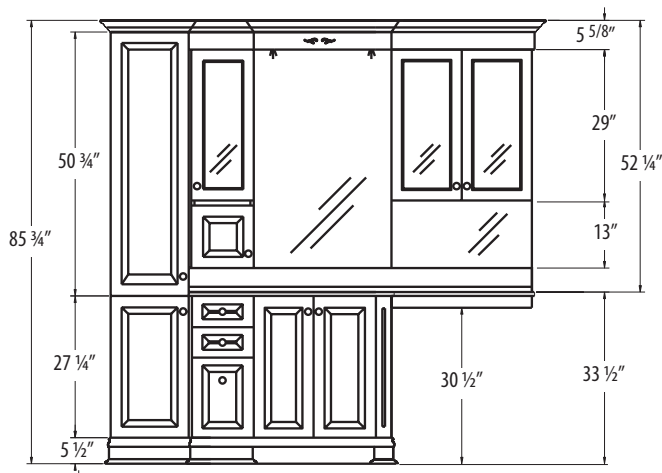


Version with pedestal sink

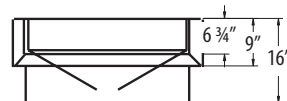
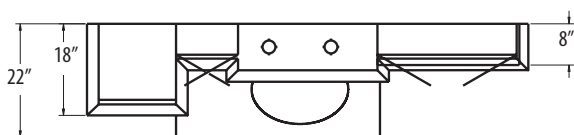
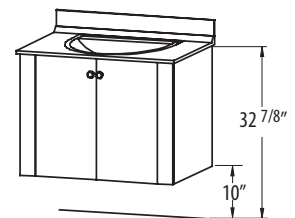


The highest part of the pedestal sink should not exceed 35 1/2" to clear the opening of the standard central compartment. Please advise us if your pedestal washbasin is higher.

Heritage style (raised panels) & Shaker



Wall-mounted lower section



With Heritage Melamine models, the upper medicine cabinet doors feature full, borderless mirrors. Only MDF lacquer, MDF wood and solid wood Heritage models features decorative element on the lighting unit.

Technical specifications

Planning notes



The lighting unit and the counter top always overlaps the cabinet.

WITH POLYMER VANITY TOP:

- Overlap of 1/2" on each side.

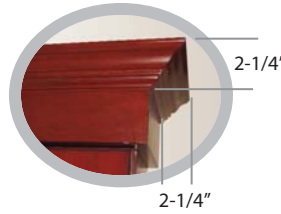
WITH MARBLE & GLASS VANITY TOP:

- Overlap of 5/8" on each side. **Add 1/4" to the total width indicated in the catalog.**



TOTAL HEIGHT

- without crown molding: 83-1/2"
- with crown molding: 85-3/4"



A filler always closes the gap between the linen cabinet, the medicine cabinet and the vanity.

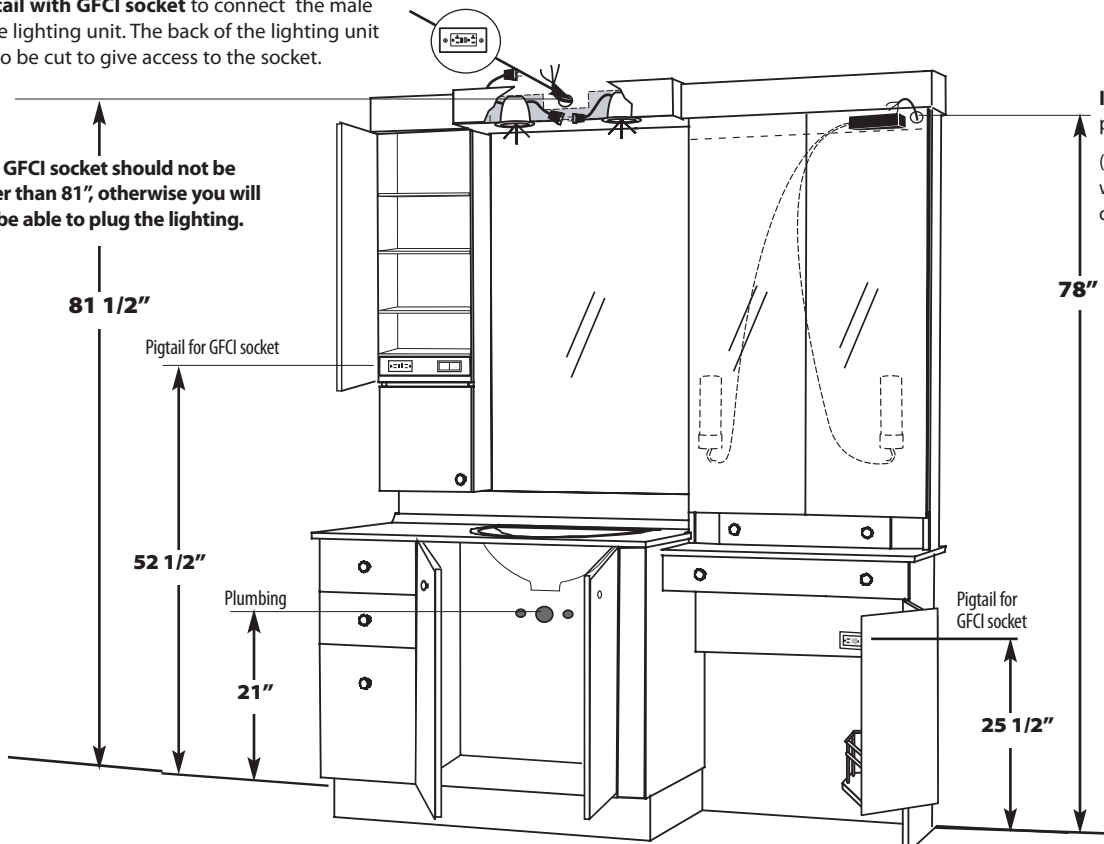
- Between linen and wall: 5/8" filler
- Between vanity and wall: 5/8" filler
- Between vanity and linen cabinet: 1/2" filler with polymer and 5/8" filler with glass or marble countertop.

Electrical and plumbing specifications

110V pigtail with GFCI socket to connect the male plug of the lighting unit. The back of the lighting unit will have to be cut to give access to the socket.



The GFCI socket should not be lower than 81", otherwise you will not be able to plug the lighting.



Independent 110V pigtail
(To activate the lights when opening the doors.)