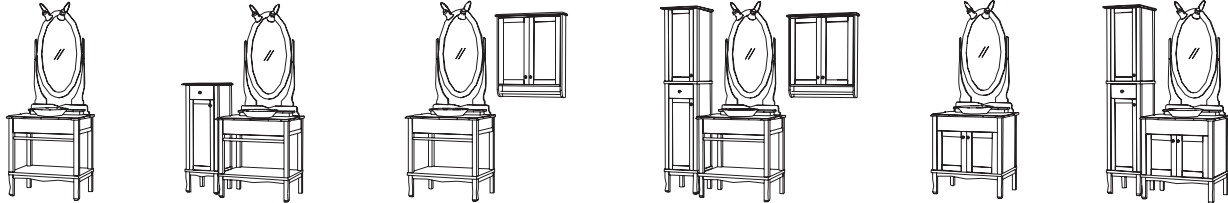




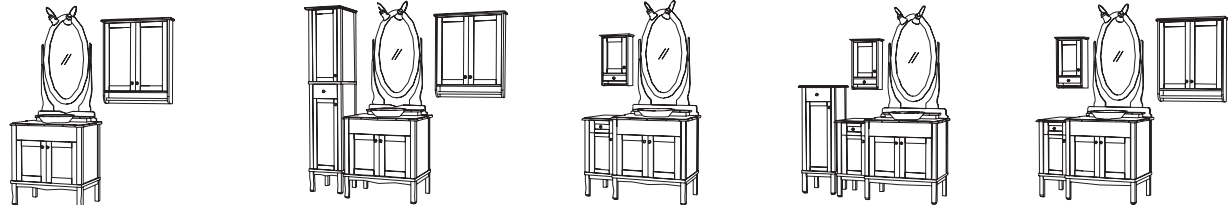
Available arrangements

Some dimensions can be varied* - Layouts can be reversed

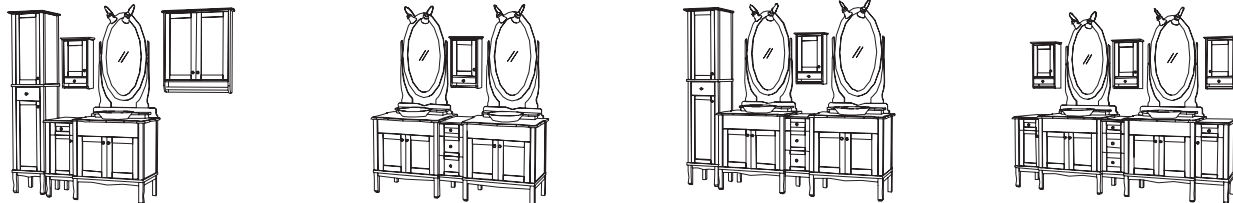
Separate units dimensions are: Linen cabinets: 15" or 18" - Double medicine cabinet on the wall: 23 1/4", 26 1/4" or 29 1/4"
Allow a clear space of 3" between units



25 1/4", 31 1/4"



25 1/4", 31 1/4"



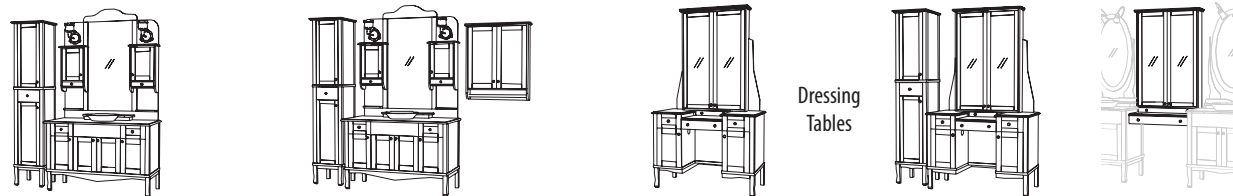
67 1/4", 73 1/4", 79 1/4"

97 1/4", 101 1/4", 106 1/4"



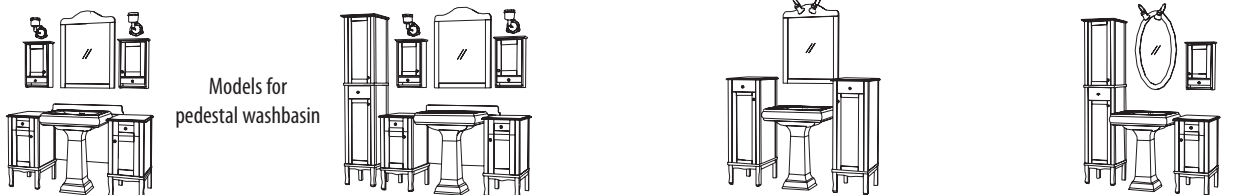
37 1/4"

43 1/4", 49 1/4", 55 1/4", 61 1/4"



43 1/4", 49 1/4"

30"



Models for pedestal washbasin

59 1/2", 62 1/2"
65 1/2", 68 1/2"

Lower section and pedestal lavatory only:
59 1/2", 62 1/2", 65 1/2", 68 1/2"

15" + 30" + 15"
18" + 30" + 18"

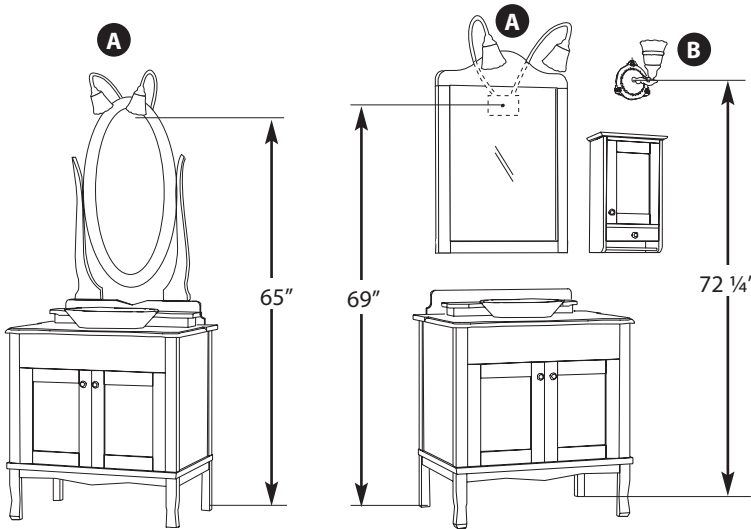
15" + 30" + 14 1/2"
18" + 30" + 14 1/2"

* For more information contact the technical support department.

TECHNICAL SPECIFICATIONS

Planning notes

HEIGHT OF ELECTRICAL OUTLET



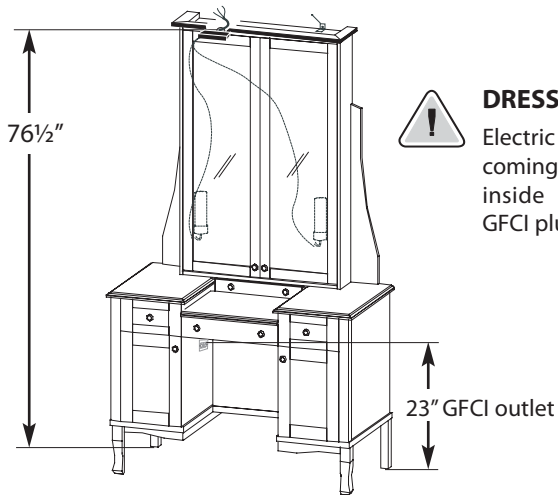
A DOUBLE SCENCE

An electrical outlet with octagonal box must be installed on the wall behind the mirror. The height vary depending on the type of mirror.

B SINGLE SCENCE

The electrical outlet of the octagonal box is at 72 1/4" in all cases.

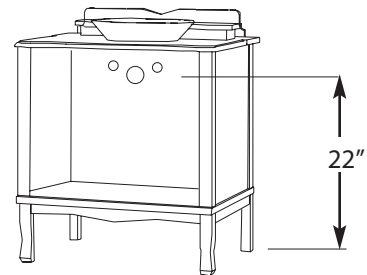
DRESSING TABLE



DRESSING TABLE

Electric wire only (pigtail) coming out for both the inside lighting and the GFCI plug.

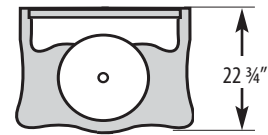
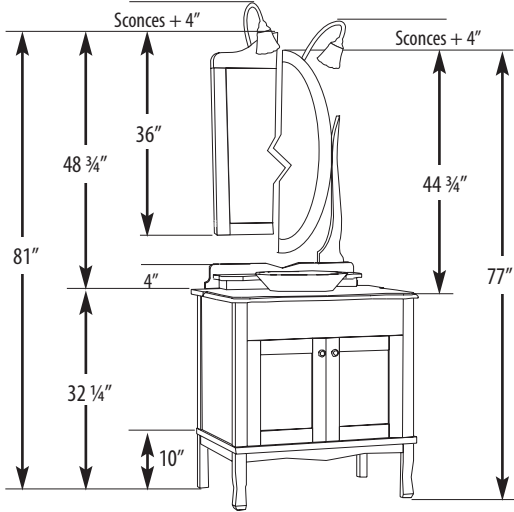
HEIGHT FOR PLUMBING



For most of the Rustic products, dimensions cannot be changed. For more information, contact the technical support department.

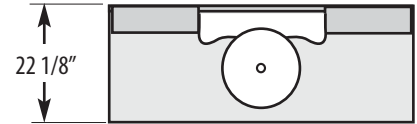
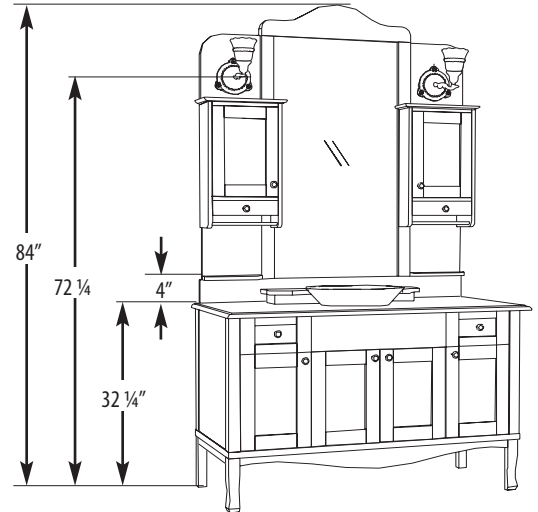
Dimensions

POWDER ROOM UNIT



Solid wood
 23 1/2" and 29 1/2" vanities (curved shape) 22 3/4"
 Other dimensions (rectangular shape) 22 1/8"
Marble (always rectangular shape) 22 1/8"

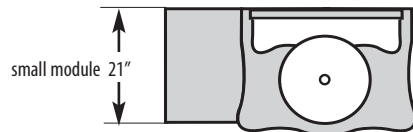
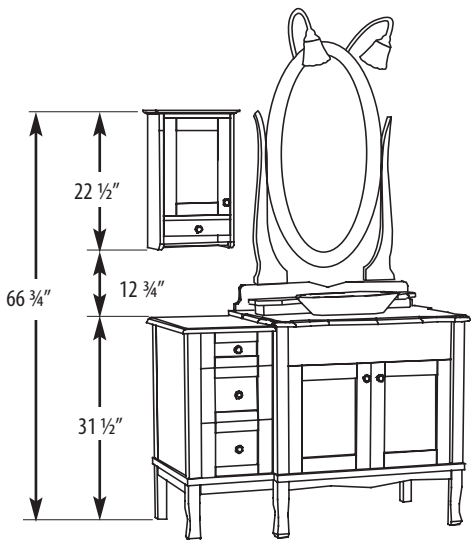
4-DOORS VANITY



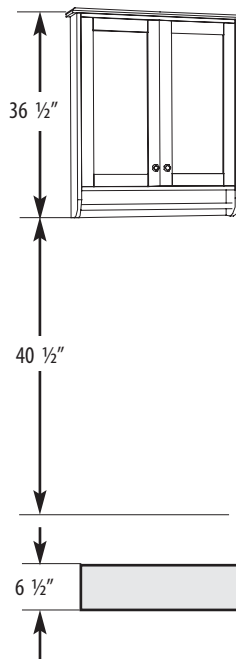
Vanity top depth

SMALL MODULE

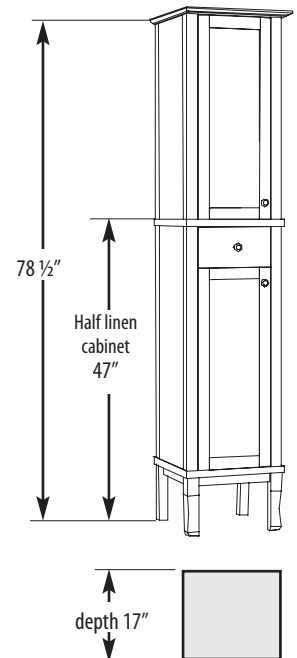
for off center vanity or double basin vanity



**DOUBLE
MEDICINE CABINET**

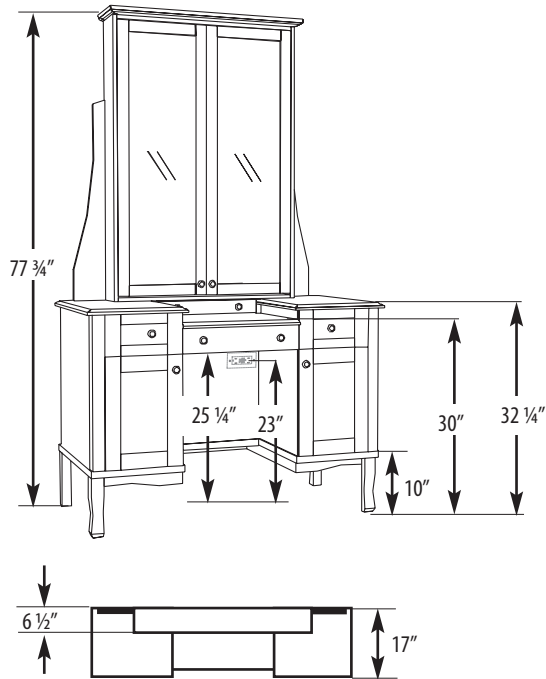


LINEN CABINET

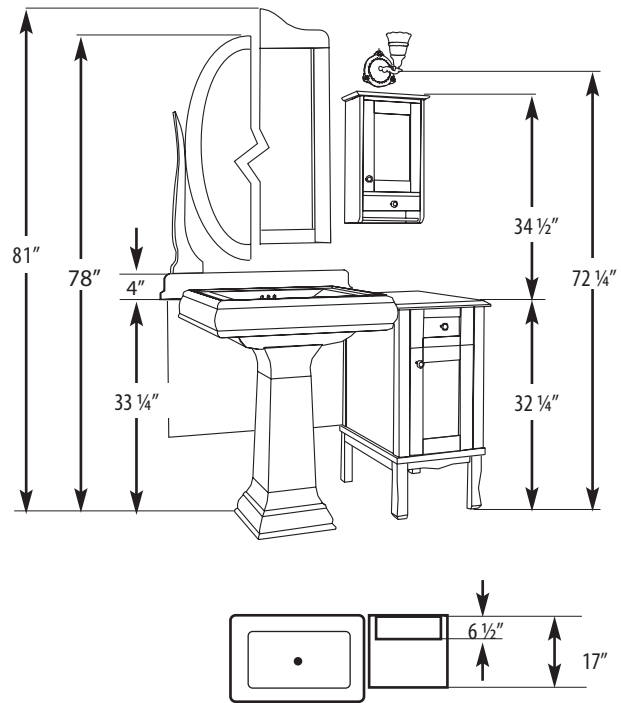


Dimensions

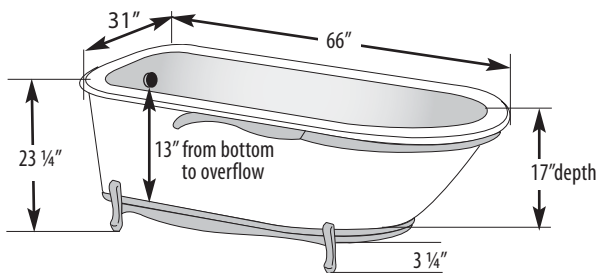
DRESSING TABLE



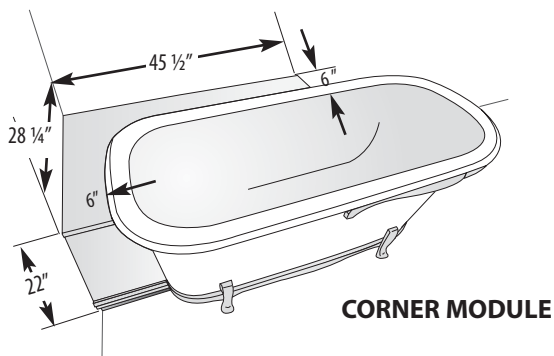
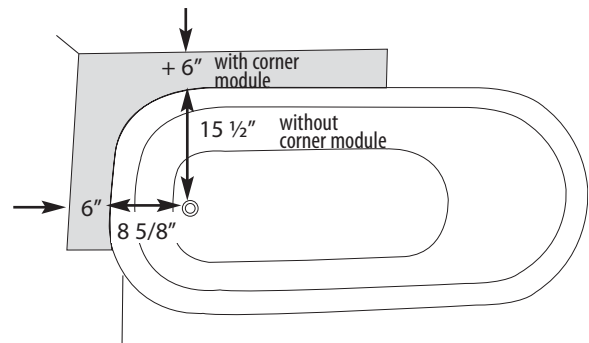
FURNITURE FOR PEDESTAL WASHBASIN



RUSTIC VIVALDI BATHTUB



DIMENSIONS FOR DRAIN INSTALLATION



CORNER MODULE