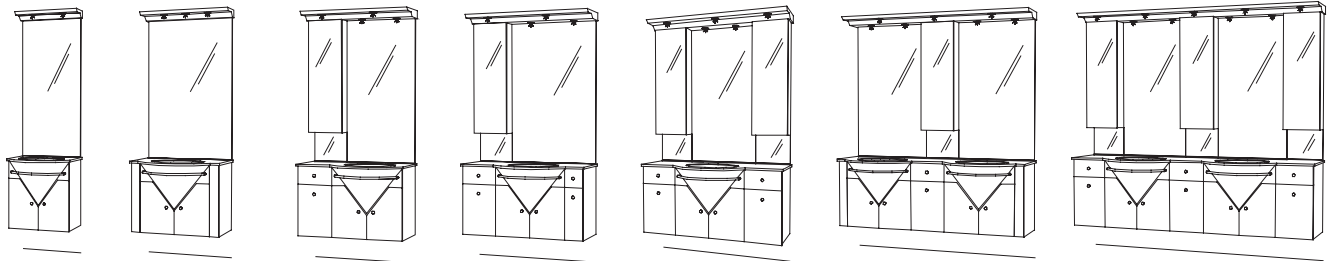




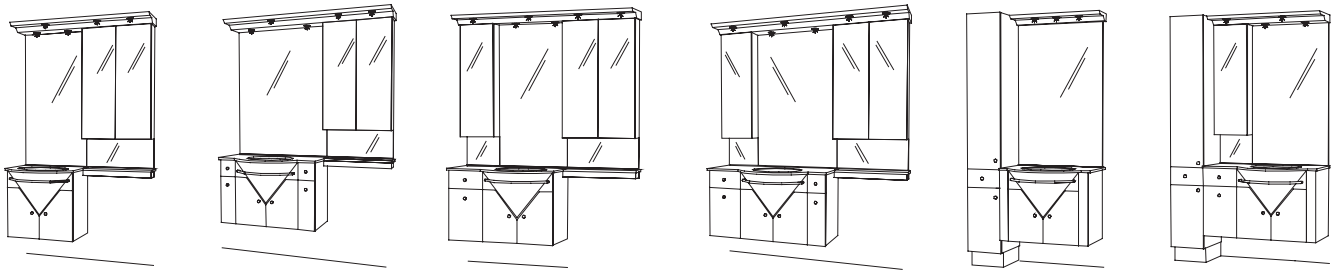
TECHNICAL SPECIFICATIONS

Available arrangements

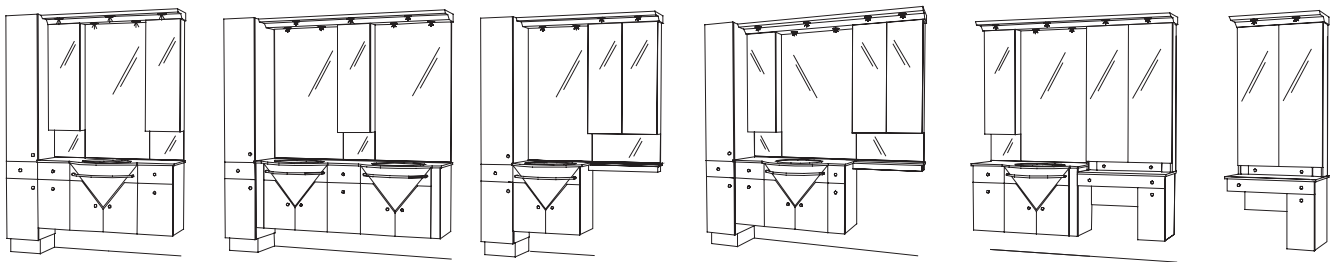
(Most dimensions can be varied and layouts can be reversed)



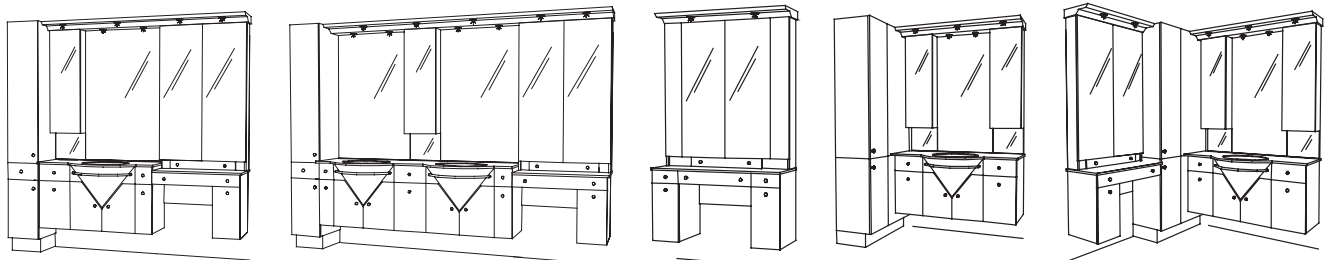
25" 28", 31" 34", 37", 40", 43" 40", 43", 46", 49" 43", 49", 55", 61" 67", 73" 85", 91", 97"



49", 52", 55" 61", 64", 67" 58", 61", 64"
67", 70", 73" 64", 67", 70"
73", 76", 79" 43", 46", 49" 49", 52", 55"
58", 61"



61", 64", 67"
70", 73", 76" 79", 82", 85"
88", 91" 61", 64", 67"
70" 79", 82", 85"
88", 91", 94" 64", 67", 70"
73", 76" 28", 31"



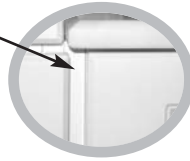
82", 85", 88"
91", 94", 97" 112", 115", 118", 121" 37", 40", 43" Linen: 31"
Vanity: 59¾, 65¾, 71¾, 77¾ See price list

Planning notes



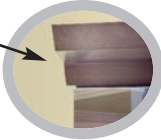
A filler always closes the gap between the linen cabinet, the medicine cabinet and the vanity.

- With polymer countertop: 1/2" filler
- With glass and marble countertop: 5/8" filler
- Between the furniture and the wall: filler is always 5/8"



The lighting unit and the counter top always overlap the cabinet.

- WITH POLYMER VANITY TOP:**
- Overlap of 1/2" on each side.



- WITH MARBLE & GLASS VANITY TOP:**
- Overlap of 5/8" on each side. **Add 1/4" to the total width indicated in the catalog.**

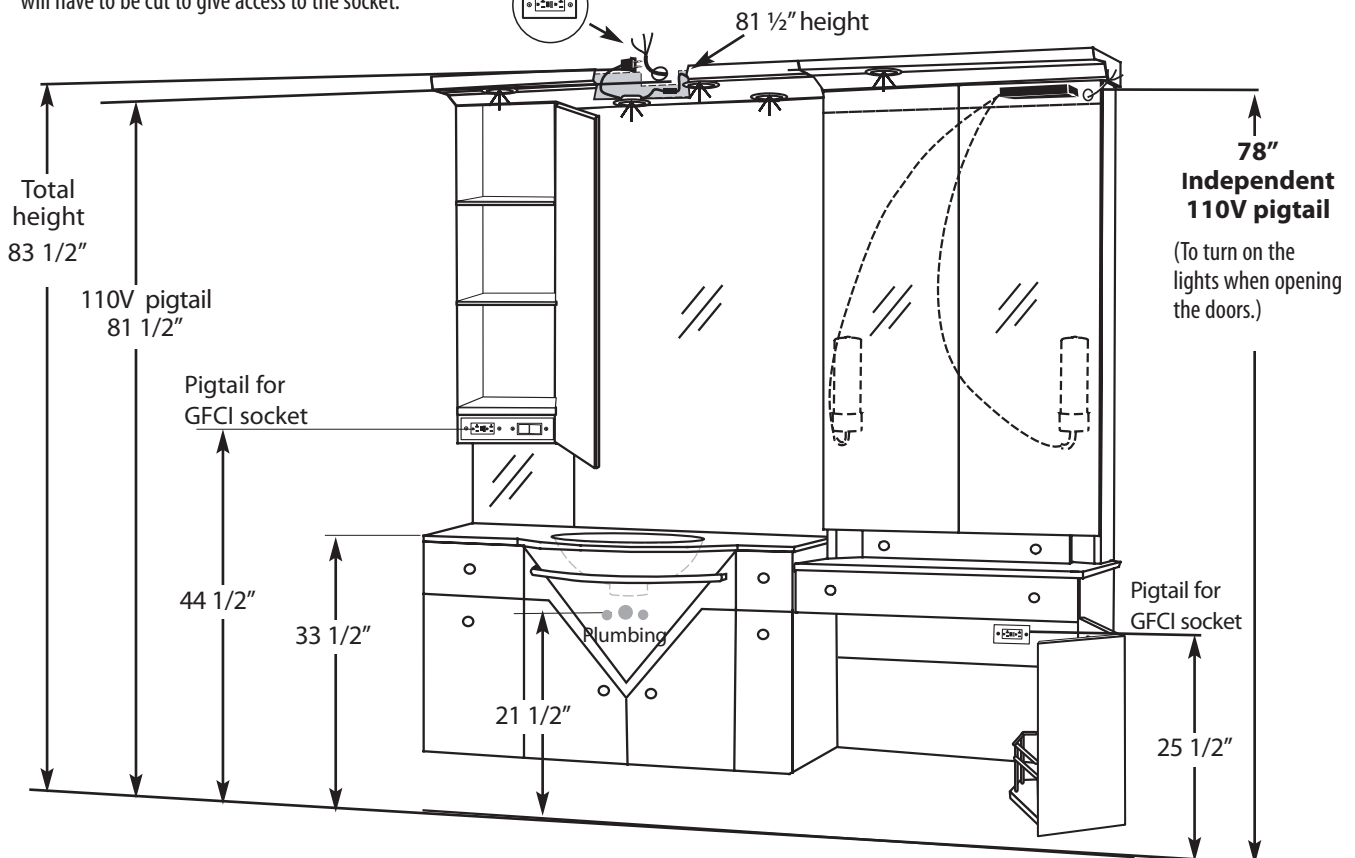


With an extended countertop, the available height for the toilet is 30 1/2".



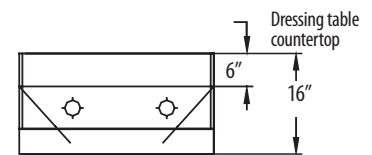
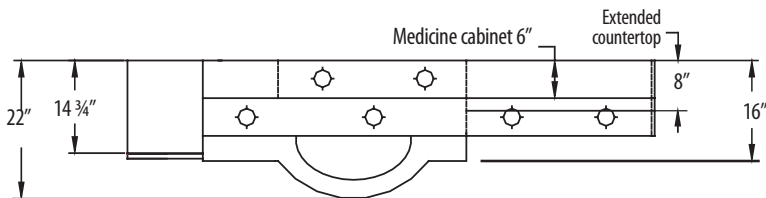
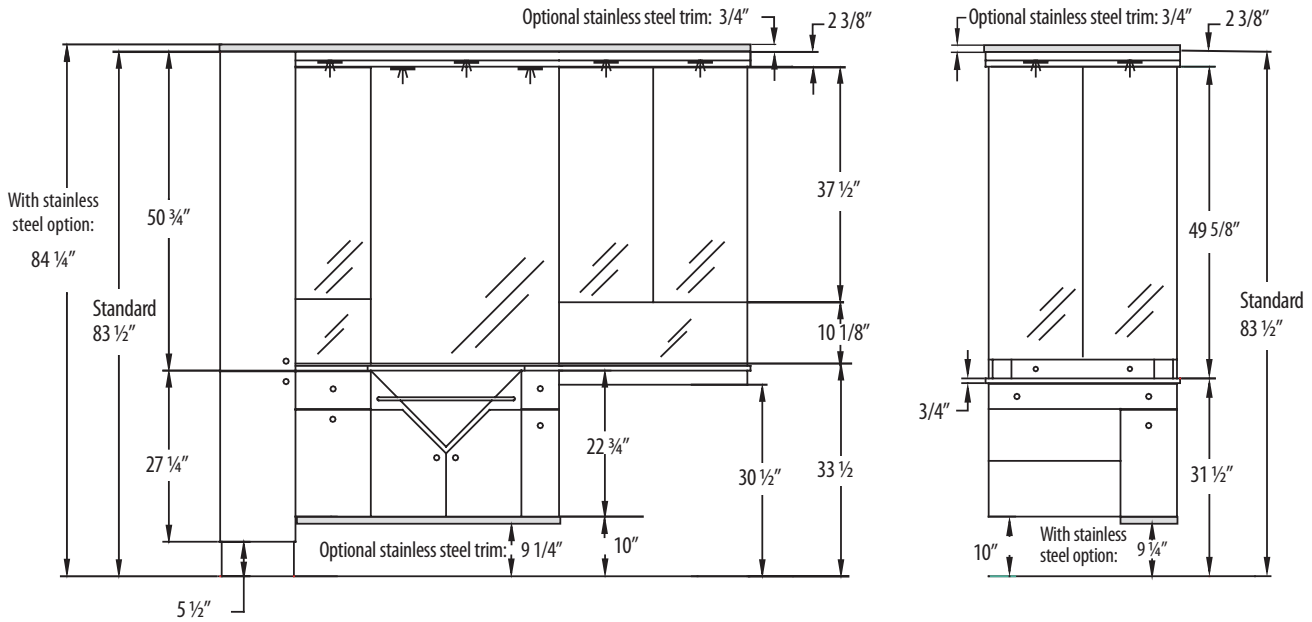
Electrical and plumbing specifications

110V pigtail with GFCI socket to connect the male plug of the lighting unit. The back of the lighting unit will have to be cut to give access to the socket.



Dimensions

STANDARD VERSION AND OPTIONAL STAINLESS STEEL VERSION



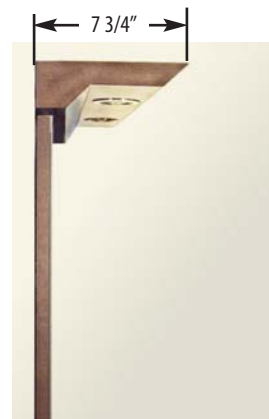
LIGHTING UNIT DEPTH



Lighting unit depth with a medicine cabinet



In arrangements without medicine cabinets, the lighting unit is 7 3/4" deep instead of 12 1/4".



Lighting unit depth without a medicine cabinet